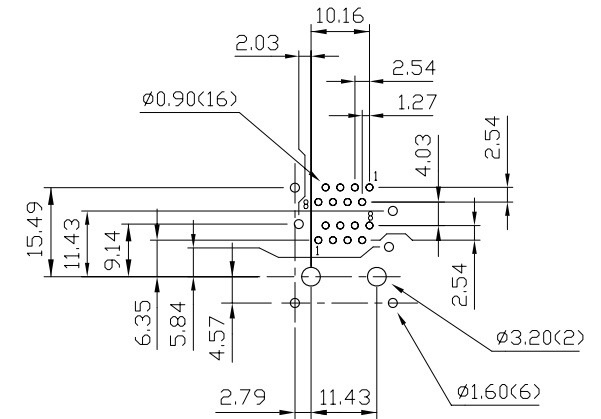


MATERIAL:

- HOUSING-PBT POLYESTER UL-94V-0 MIXED GLASS FIBER. STANDARD COLOR-BLACK
- CONTACTS-0.35mm THICK PHOS-BRONZE PLATED WITH HARD GOLD AND GOLD FLASH IN SOLDER AREA.
- SHIELD-0.20mm THICK COPPER ALLOY, PLATED WITH NICKEL.

CAVITY CONFIRMS TO FCC RULES AND REGULATIONS PART 68,SUBPART F.



PCB LAYOUT Ref.

RoHS Compliant

TOLERANCES ARE

MORETHANALL
PCB CONNECTORS
Cable ASSEMBLIES

DRAWING BY CY

X.±

CHECKED BY GENIUS

.X±

UNIT/mm SCALE 1:1

.XX±

DATE

.XXX±

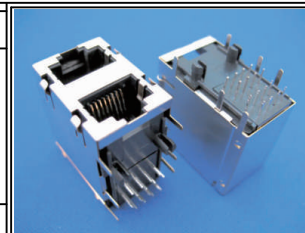
ANG±

SIZE A4

PROJECTION

煜倫股份有限公司

www.morethanall.com



ORDER INFORMATION

MJF25B1-KS06A4-0808-LF



DESCRIPTION: 2X1 8POSITIONS RIGHT ANGLE SHIELDED PCB JACK