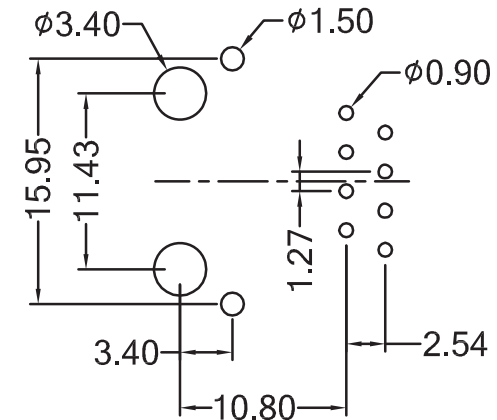


MATERIAL & FINISH

Housing & Insert: PBT, UL94V-0, black
 Conductor: 0.35 x 0.42 mm phosphor bronze,
 Gold plated over nickel on contact area,
 Tin plated over nickel on solder area.
 Shield: Brass with nickel plated.

ELECTRICAL

Voltage Rating: 125 V
 Current Rating: 1.5 A
 Contact Resistance: 30 milliohms max.
 Insulation Resistance: 500 megaohms min.
 Dielectric Withstanding Voltage: 1000 V



PCB LAYOUT / TOP VIEW

RoHS Compliant

TOLERANCES ARE



煜倫股份有限公司

www.morethanall.com

DRAWING BY CY

CHECKED BY GENIUS

UNIT / mm SCALE 1 : 1

DATE

SIZE A4

X, ±
 .X ±
 .XX ±
 .XXX ±
 ANG ±

P PROJECTION

照片框

ORDER INFORMATION

MJF16U-KX06B34-0808-LF

SERIES

||

||

||

||

||

||

||

||

||

||

||

||

||

||

||

LEADFREE
 8P8C
 REAR TAB 3.4mm
 06u" GOLD
 NON EARS
 BLACK

DESCRIPTION: