

MATERIAL & FINISH

Housing: PBT or FR52, UL94V-0.

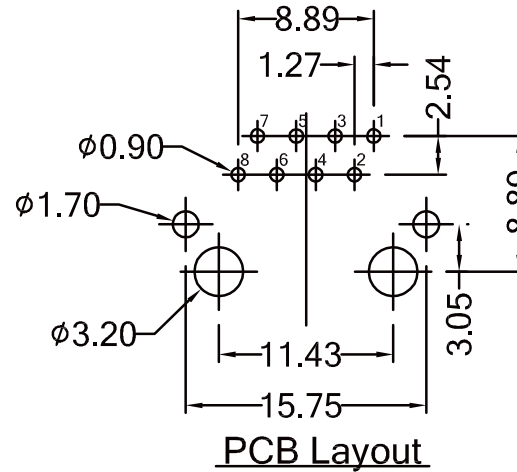
Contact: Phosphor bronze t=0.35mm.

Plating: Selective gold plating over nickel.

Shield: Copper alloy t=0.20mm.

CAT6 CHARACTERISTIC

Frequency	Near-End Cross Talk dB, MIN.	Return Loss dB, MIN.	Attenuation dB, MAX.
1.0 MHZ	75.0	35.5	0.1
4.0 MHZ	75.0	35.5	0.1
10.0 MHZ	74.0	35.5	0.1
16.0 MHZ	69.9	35.5	0.1
25.0 MHZ	66.0	35.5	0.1
31.25 MHZ	64.1	34.1	0.1
62.5 MHZ	58.1	28.1	0.1
100.0 MHZ	54.0	24.0	0.2
200.0 MHZ	48.0	18.0	0.3
250.0 MHZ	46.0	16.0	0.3



RoHS Compliant

TOLERANCES ARE

MORETHANALL
PCB CONNECTORS
Cable ASSEMBLIES

DRAWING BY CY

CHECKED BY GENIUS

UNIT / mm

SCALE 1 : 1

DATE

SIZE A4

PJECTION

X. ±
.X ±
.XX ±
.XXX ±
ANG ±

照片框

ORDER INFORMATION

MJF16U-KX06B3-0808-LF

SERIES

LEADFREE
8P8C
REAR TAB 3.05mm
06u" GOLD
NON EARS
BLACK

煜倫股份有限公司

www.morethanall.com

DESCRIPTION: