

MATERIAL & FINISH

Housing: PBT. UL94V-0, black or gray

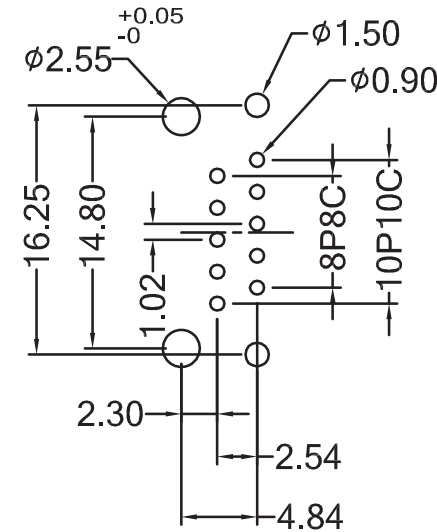
Insert: PBT. UL94V-0, white

Conductor:

Round pin: 0.45 mm diameter phosphor bronze,
Plating: Gold plated over nickel.

Stamping pin 0.35 x 0.42 mm phosphor bronze,
Plating: Gold plated over nickel on contact area,
Tin plated over nickel on solder area.

Shield: 0.25 mm bronze with nickel plated.



PCB LAYOUT / TOP VIEW

RoHS Compliant

TOLERANCES ARE

MORETHANALL
PCB CONNECTORS
Cable ASSEMBLIES

DRAWING BY CY

CHECKED BY GENIUS

UNIT / mm SCALE 1 : 1

DATE

SIZE A4

X, ±
.X ±
.XX ±
.XXX ±
ANG ±

PJECTION

照片框

ORDER INFORMATION

MJF14U-KX06B48-1010-LF

SERIES

||

||

||

||

||

||

||

||

||

||

||

||

||

||

||

LEADFREE

10P10C

REAR TAB 4.84mm

06u" GOLD

NON EARS

BLACK

煜倫股份有限公司

www.morethanall.com

DESCRIPTION: