

NOTES:

ELECTRICAL:

- 1. VOLTAGE RATING : 150 VAC.
- 2. CURRENT RATING : 1.5 AMP.
- 3. CONTACT RESISTANCE : 20 MILLIOHMS MAX.
- 4. INSULATION RESISTANCE : 50 MEGOHMS MIN. @ 500 VDC.
- 5. DIELECTRIC STRENGTH : 1000 VAC 60Hz, 1MIN.

MECHANICAL:

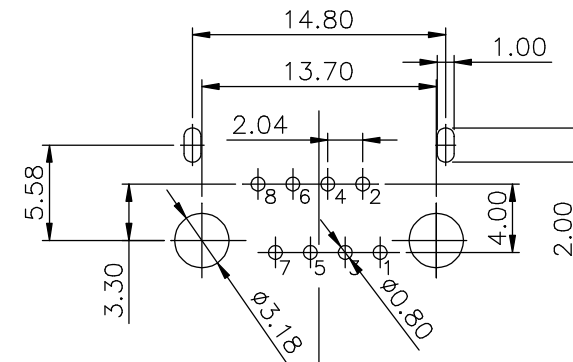
- 1. HOUSING&INSERT&MATERIAL : PBT UL94-V0 BLACK  
: COLOR STANDARD BK.
- 2. SHIELD: : C2680H T=0.2MM PLATING NICKEL 30u"~80u" FOR ALL
- 3. CONTACT MATERIAL : PHOSPHOR BRONZE  $\phi 0.46$  mm.
- 4. PLATING : GOLD FLASH PLATING AT CONTACT AREA NICKEL 30U MIN.OVER ALL
- 5. OPERATING LIFE : 750 CYCLES MIN.
- 6. MATING/UNMATING FORCE : 30N/3.06KG MAX.
- 7. RETENTION STRENGTH : 50N MIN.FOR 60S+/-5S

ENVIRONMENTAL:

- 1. STORAGE : -40°C TO +85°C. RELATIVE HUMIDITY<80%
- 2. OPERATION : -40°C TO +85°C.
- 3. GUARANTEE PERIOD:12 MONTHS
- 4. WAVE SOLDERING TEMPERATURE:260+/-5°C 5-10SECONDS.

MATES WITH MODULAR PLUG CONFORMING TO TIA-1096-A.

Support category 5e and 6 applications and simplifies circuit design.



PC Board Layout  
Component Side Shown

RoHS Compliant

TOLERANCES ARE

**MORETHANALL**  
PCB CONNECTORS  
Cable ASSEMBLIES

DRAWING BY CY

CHECKED BY GENIUS

UNIT / mm

SCALE 1:1

DATE

SIZE A4

X, ±  
.X ± 0.20  
.XX ± 0.15  
.XXX ± 0.10  
ANG ± 5°

PJECTION

照片框

ORDER INFORMATION

MJF14C6U-KX06B55-0808-LF

SERIES

LEADFREE

8P8C

REAR TAB 5.58mm

6u" GOLD

NON EAR

BLACK

DESCRIPTION: C6 SIDE ENTRY PCB FTP JACK, 8P

煜倫股份有限公司

www.morethanall.com