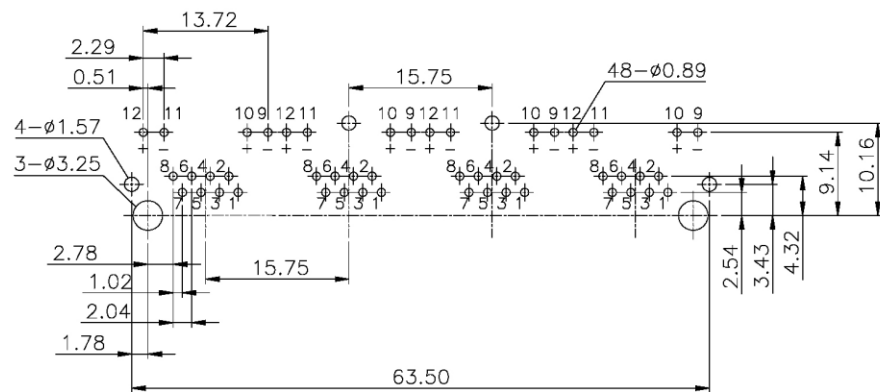


RECOMMENDED PANEL CUTOUT

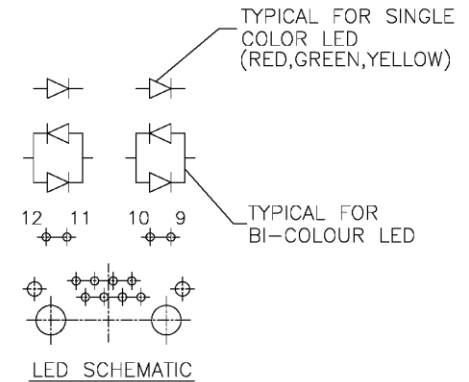
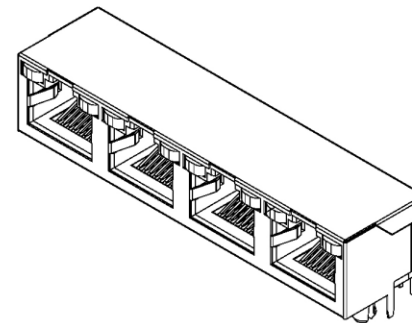
ELECTRICAL:
 CURRENT RATING: 1.5 AMPERES MAX. @ 25°C.
 VOLTAGE RATING: 150 VAC MAX.
 VOLTAGE: 60 VDC.
 DIELECTRIC WITHSTANDING VOLTAGE:
 1000VAC, RMS, 60Hz, 1MIN.
 INSULATION RESISTANCE: 500 MEGOHMS MIN.
 OPERATE/STORAGE TEMPERATURE: -40°C TO 85°C.

MATERIALS:
 PLASTIC HOUSING: HIGH TEMP. THERMOPLASTIC
 FLAMMABILITY RATING UL 94V-0.
 CONTACTS: PHOSPHOR BRONZE
 PLATING: GOLD PLATING OVER NICKEL IN CONTACT,
 TIN PLATING OVER NICKEL IN SOLDER AREA.
 SHIELD: BRASS PLATING NICKEL ALLOY.



P.C.B LAYOUT/TOP VIEW

*凡標註 △ 記號者為品管管制尺寸。



MORETHANALL
 PCB CONNECTORS
 Cable ASSEMBLIES

煜倫股份有限公司

www.morethanall.com

RoHS Compliant

DRAWING BY CY

CHECKED BY GENIUS

UNIT / mm SCALE 1 : 1

DATE

SIZE A4

TOLERANCES ARE

X, ±
 .X ±
 .XX ±
 .XXX ±
 ANG ±

PJECTION

照片框

ORDER INFORMATION

MJF13JLA4-KX06B3YG-0808-LF

SERIES | | | | LEAD FREE
 | | | | 8P8C
 | | | | YELLOW / GREEN
 | | | | REAR TAB 3.43mm
 BLACK | | | | 06u" GOLD
 | | | | NON EAR

DESCRIPTION: