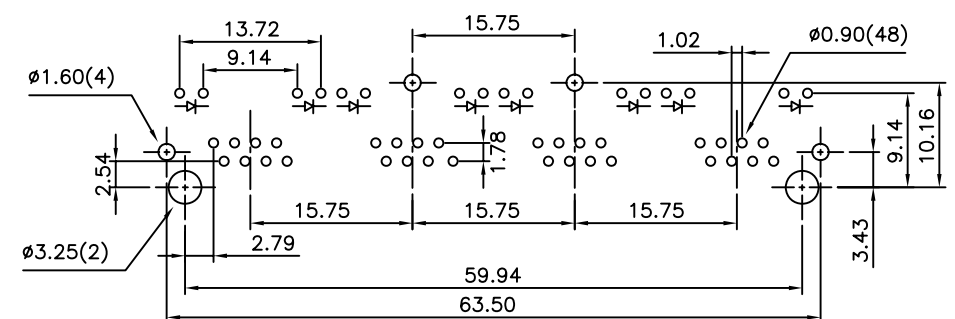
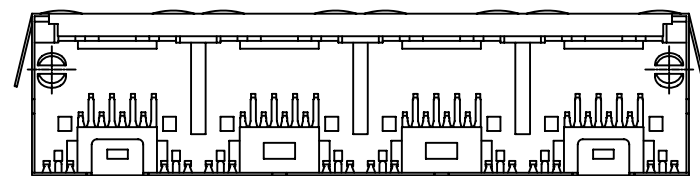
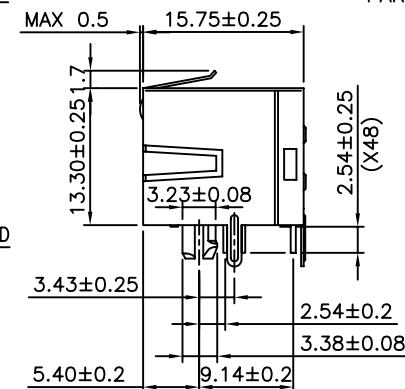
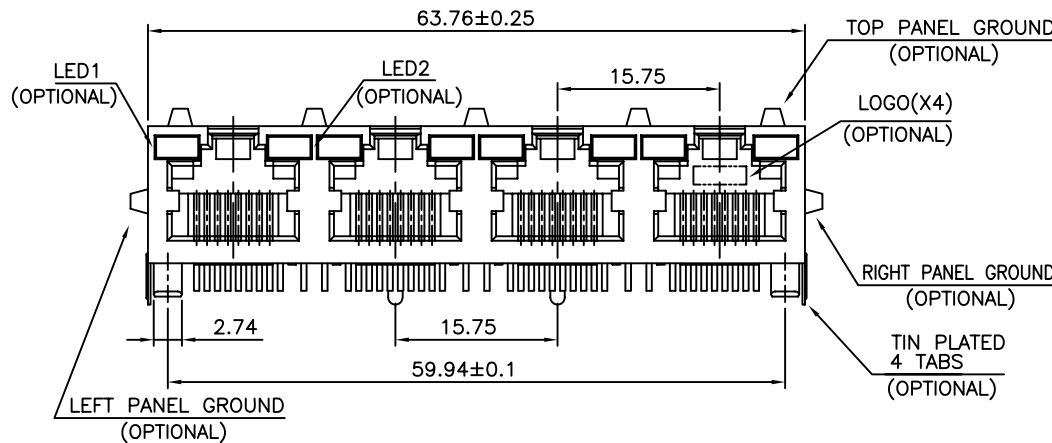
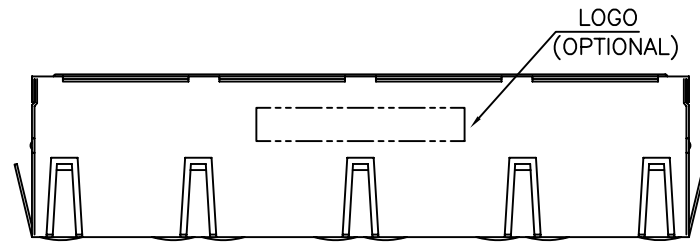


MATERIAL:

- HOUSING—DSM STANYL TE250F6 (NYLON-46)
HEAT DEFLECTION TEMP.290°
BLACK COLOR, UL94V-0
- CONTACTS—0.35mm THICK PHOS-BRONZE PLATED
WITH HARD GOLD AND TIN/LEAD IN
SOLDER AREA.
- SHIELD—0.25mm THICK COPPER ALLOY,
PLATED WITH NICKEL.

ELECTRICAL :

- INSULATION RESISTANCE : 500 MEGOHMS MINIMUM
- CURRENT RATING : 1.5 AMPS
- VOLTAGE RATING : 150 VOLTS AC
- CAVITY CONFIRMS TO FCC RULES AND REGULATIONS
PART 68,SUBPART F.



PCB LAYOUT (Ref.)

RoHS Compliant



煜倫股份有限公司

www.morethanall.com

DRAWING BY CY		TOLERANCES ARE X. ± 0.30 .X ± 0.25 .XX ± 0.13 .XXX ± 0.05 ANG ±
CHECKED BY GENIUS		
UNIT / mm	SCALE 1 : 1	
DATE		
SIZE A4	PJECTION	



ORDER INFORMATION

MJF13ULA4-KF06B3YG-0808-LF

SERIES | | | | | | | | | | LEAD FREE

BLACK | | | | | | | | | | 8P8C

06u" GOLD | | | | | | | | | | YELLOW / GREEN

FULL SPRING | | | | | | | | | | REAR TAB 3.43mm

DESCRIPTION: 4PORTS, 8POSITION, WITH LED'S SHIELDED, SIDE ENTRY PCB GANGED JACK