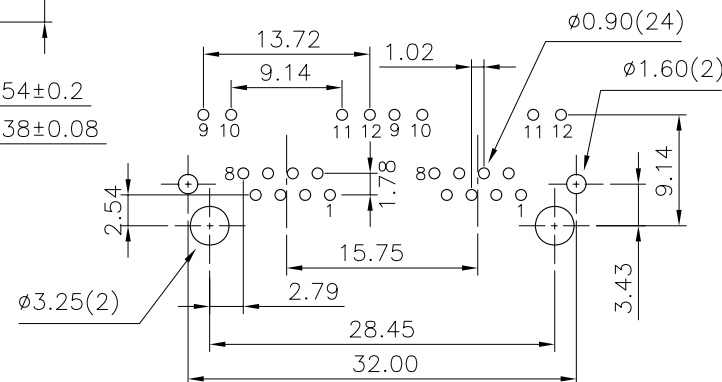
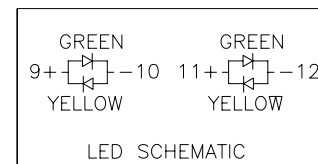
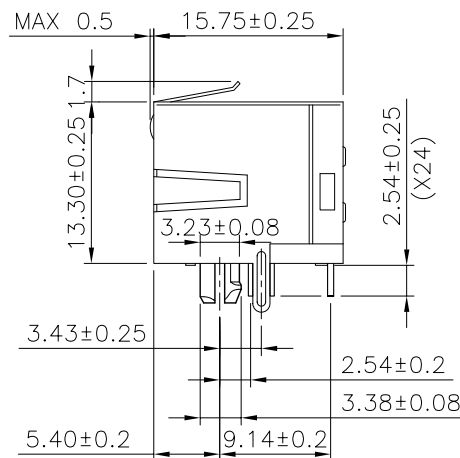
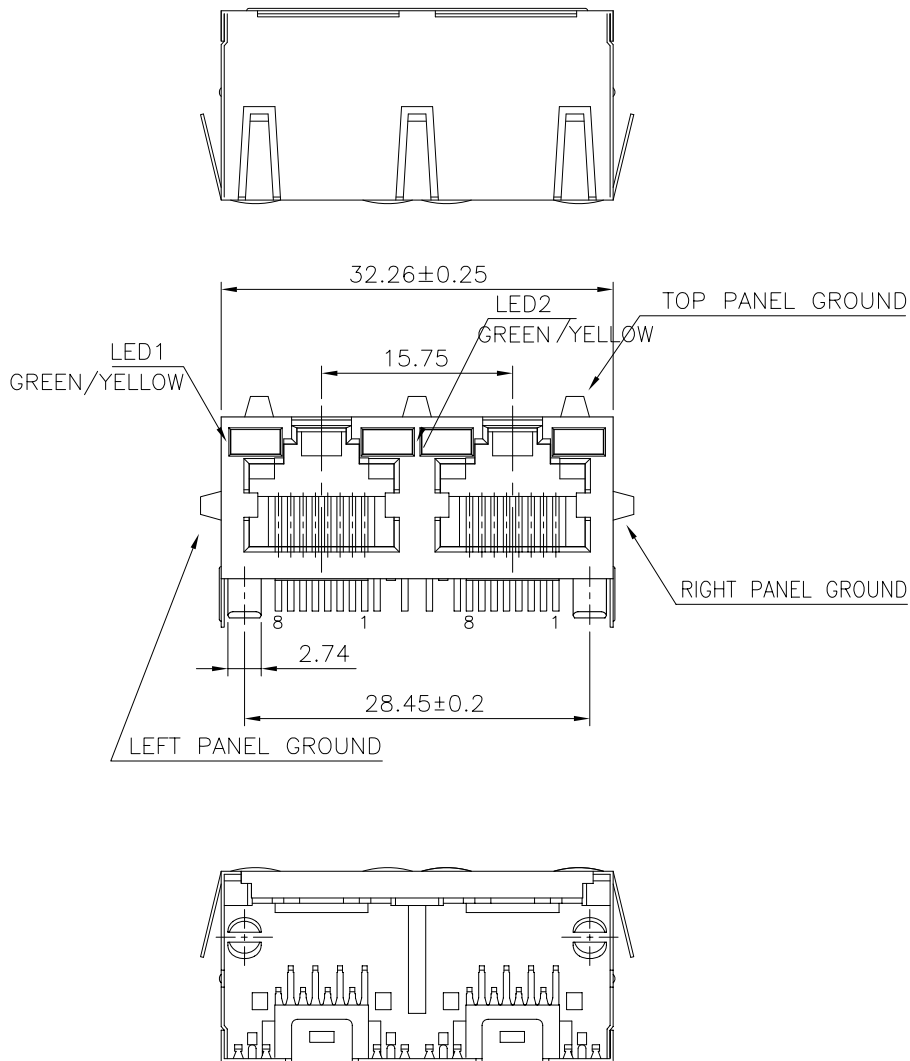


MATERIAL:

- HOUSING—DSM STANYL TE250F6 (NYLON-46)
HEAT DEFLECTION TEMP.290°
BLACK COLOR, UL94V-0
- CONTACTS—0.35mm THICK PHOS-BRONZE PLATED
WITH HARD GOLD AND
GOLD FLASH IN SOLDER AREA.
- SHIELD—0.25mm THICK COPPER ALLOY,
PLATED WITH NICKEL.

CAVITY CONFIRMS TO FCC RULES AND REGULATIONS
PART 68,SUBPART F.



RoHS Compliant

MORETHANALL
CONNECTORS
ASSEMBLIES

PART NO. MJF13ULA2-KF06B3GYGY-0808

DWG NO. MJF13ULA2-KF06B3GYGY-0808

CHECKED BY CY

TOLERANCES ARE

DESCRIPTION:

2PORTS, 8POSITION, WITH LED'S
SHIELDED, SIDE ENTRY PCB GANGED JACK

FILE NO.

DRAWING BY

.X ± 0.2
.XX ±
.XXX ±
AWG

AREA

REVISIONS

HK

DATE

煜倫股份有限公司

UNIT / mm

SCALE 1:1

PROJECTION

