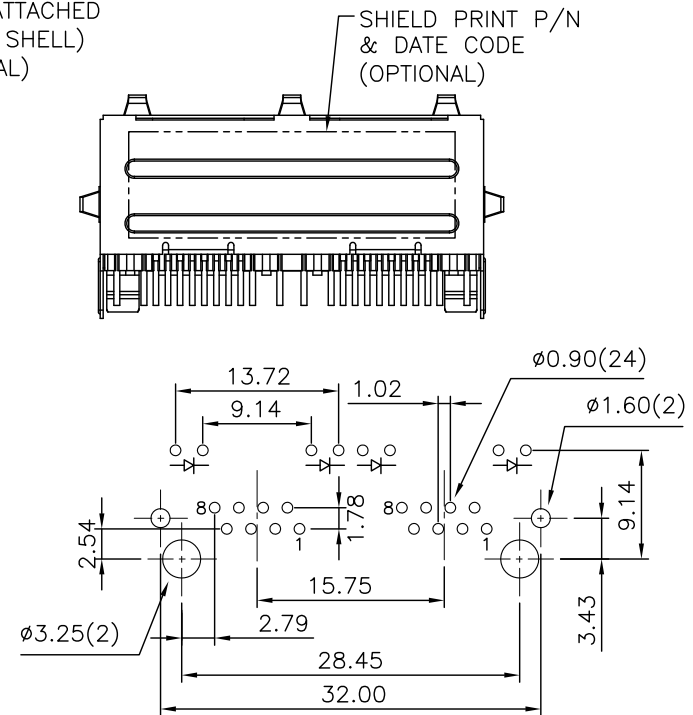


MATERIAL:

- HOUSING—DSM STANYL TE250F6 (NYLON-46)
HEAT DEFLECTION TEMP.290°
BLACK COLOR, UL94V-0
- CONTACTS—0.35mm THICK PHOS-BRONZE PLATED WITH HARD GOLD AND GOLD FLASH IN SOLDER AREA.
- SHIELD—0.25mm THICK COPPER ALLOY, PLATED WITH NICKEL.

CAVITY CONFIRMS TO FCC RULES AND REGULATIONS PART 68, SUBPART F.



PCB LAYOUT (Ref.)

RoHS Compliant

TOLERANCES ARE



煜倫股份有限公司

www.morethanall.com

DRAWING BY CY

CHECKED BY GENIUS

UNIT / mm SCALE 1 : 1

DATE

SIZE A4

X, ±
.X ± 0.25
.XX ± 0.13
.XXX ± 0.05
ANG ±

P PROJECTION

照片框

ORDER INFORMATION

MJF13ULA2-KF06B3GY-0808

SERIES

8P8C

LED1:GREEN / LED2:YELLOW

REAR TAB 3.43mm

BLACK

06u" GOLD

FULL SPRING

DESCRIPTION: 2PORTS, 8POSITION, WITH LED'S SHIELDED, SIDE ENTRY PCB GANGED JACK