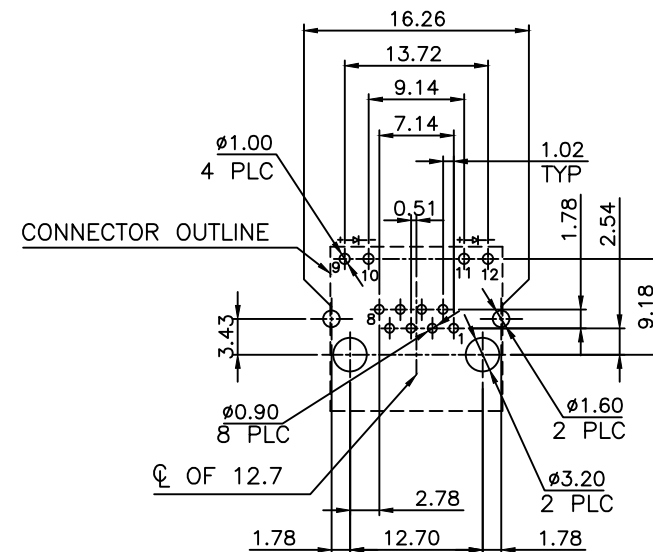


MATERIALS:

- HOUSING—PBT POLYESTER UL94V-0 MIXED FIBER GLASS. STANDARD COLOR—BLACK.
- CONTACTS—0.35mm THICK PHOS-BRONZE PLATED WITH 6u" HARD GOLD AND GOLD FLASH IN SOLDER AREA.
- SHIELD—0.25mm THICK COPPER ALLOY, PLATED WITH NICKEL.

CAVITY CONFIRMS TO FCC RULES AND REGULATIONS PART 68,SUBPART F.



RECOMMENDED PCB LAYOUT
TOLERANCE: ±0.05 (TOP VIEW)

RoHS Compliant

TOLERANCES ARE

MORETHANALL
PCB CONNECTORS
Cable ASSEMBLIES

DRAWING BY CY

X. ±

CHECKED BY GENIUS

.X ±

UNIT / mm

SCALE 1 : 1

.XX ±

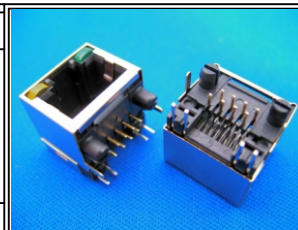
DATE

.XXX ±

ANG ±

SIZE A4

P PROJECTION



ORDER INFORMATION

MJF13UL-KX06B3xx-0808

SERIES BLACK NON EAR
LED1 / LED2 8P8C
GG:GREEN / GREEN
YG:YELLOW / GREEN
REAR TAB 3.43mm
06u" GOLD

煜倫股份有限公司

www.morethanall.com

DESCRIPTION: RJ45, WITH LED'S, SHIELDED FLAT PIN, SIDE ENTRY JACK