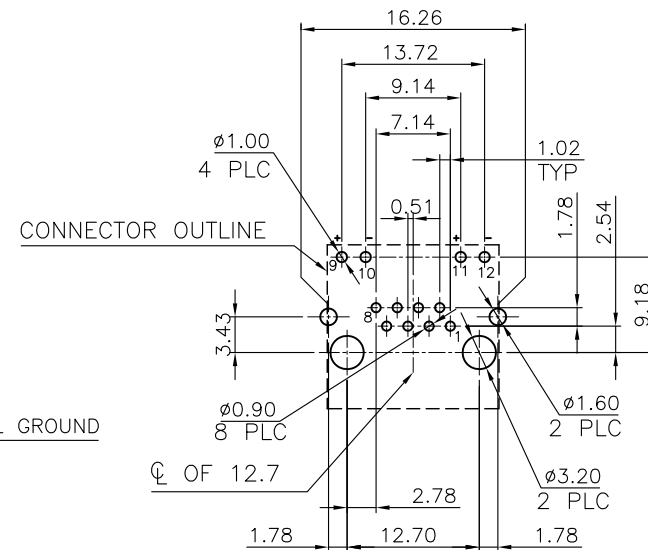
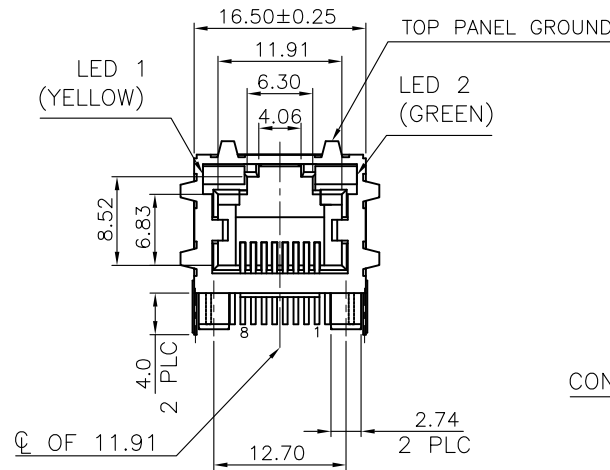
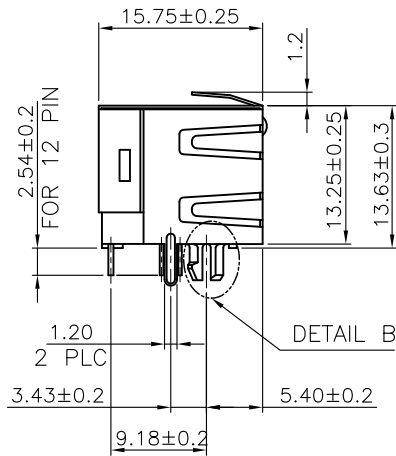


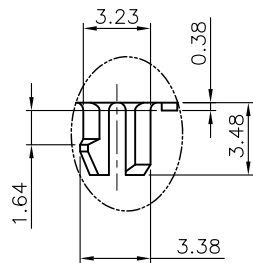
**MATERIALS:**

- HOUSING—DSM STANYL TE250F6 (NYLON-46)  
HEAT DEFLECTION TEMP.290°  
BLACK COLOR,UL94V-0
- CONTACTS—0.35mm THICK PHOS-BRONZE PLATED  
WITH 6u" HARD GOLD AND GOLD FLASH IN  
SOLDER AREA.
- SHIELD—0.20mm THICK COPPER ALLOY,  
PLATED WITH NICKEL.

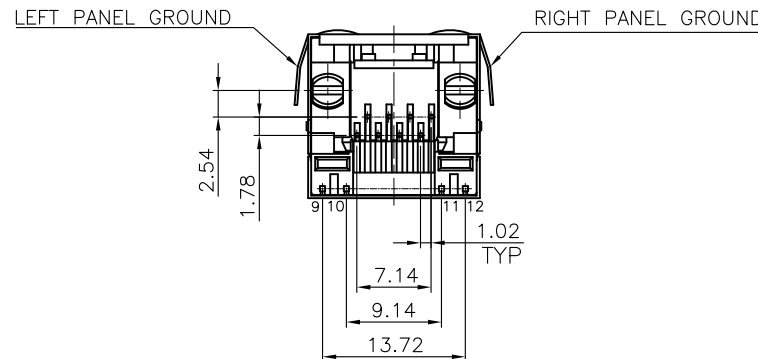
CAVITY CONFIRMS TO FCC RULES AND REGULATIONS  
PART 68,SUBPART F.



RECOMMENDED PCB LAYOUT  
TOLERANCE: ±0.05 (TOP VIEW)



DETAIL B(SCEALE 2:1)



**RoHS Compliant**

TOLERANCES ARE

**MORETHANALL**  
PCB CONNECTORS  
Cable ASSEMBLIES

DRAWING BY CY

X. ±  
.X ± 0.25  
.XX ± 0.13  
.XXX ± 0.05  
ANG ±

CHECKED BY GENIUS

UNIT / mm    SCALE 1 : 1

DATE

SIZE A4

PJECTION

照片框

**ORDER INFORMATION**

**MJF13UL-KF06B3YG-0808-LF**

SERIES                    8P8C LEADFREE  
BLACK                    LED1 / LED2  
FULL SPRING            YELLOW / GREEN  
REAR TAB 3.43mm  
06u" GOLD

DESCRIPTION: RJ45, WITH LED'S, SHIELDED FLAT PIN, SIDE ENTRY JACK

煜倫股份有限公司

www.morethanall.com