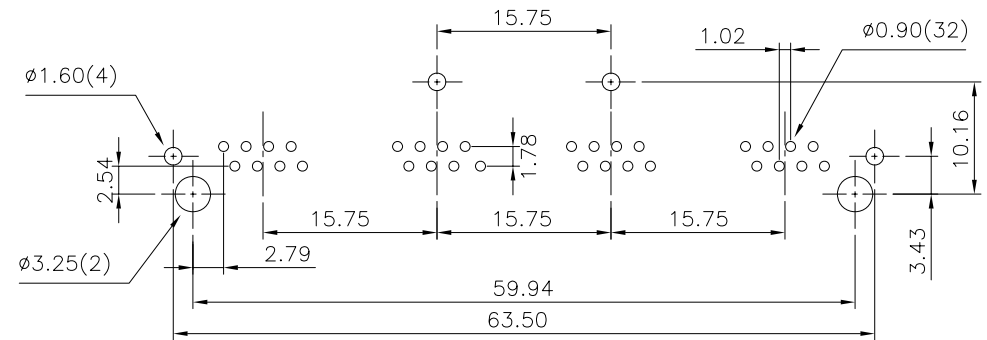
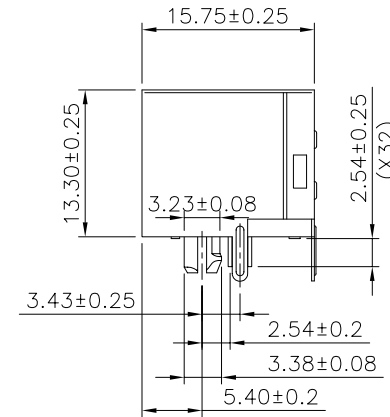


MATERIAL:

- HOUSING—DSM STANYL TE250F6 (NYLON-46)
HEAT DEFLECTION TEMP.290°
BLACK COLOR, UL94V-0
- CONTACTS—0.35mm THICK PHOS-BRONZE PLATED
WITH HARD GOLD AND TIN/LEAD IN
SOLDER AREA.
- SHIELD—0.25mm THICK COPPER ALLOY,
PLATED WITH NICKEL.

CAVITY CONFIRMS TO FCC RULES AND REGULATIONS
PART 68,SUBPART F.



PCB LAYOUT (Ref.)

RoHS Compliant

TOLERANCES ARE

MORETHANALL
PCB CONNECTORS
Cable ASSEMBLIES

DRAWING BY CY

X.±

CHECKED BY GENIUS

.X±

UNIT / mm

SCALE 1 : 1

.XX±

DATE

.XXX±

ANG ±

照片框

ORDER INFORMATION

MJF13UA4-KX06B3-0808-LF

SERIES

LEADFREE

8P8C

REAR TAB 3.43mm

06u" GOLD

NON EAR

BLACK

煜倫股份有限公司

www.morethanall.com

SIZE A4

PJECTION

DESCRIPTION: 4PORTS, 8POSITION SHIELDED, SIDE ENTRY PCB GANGED JACK