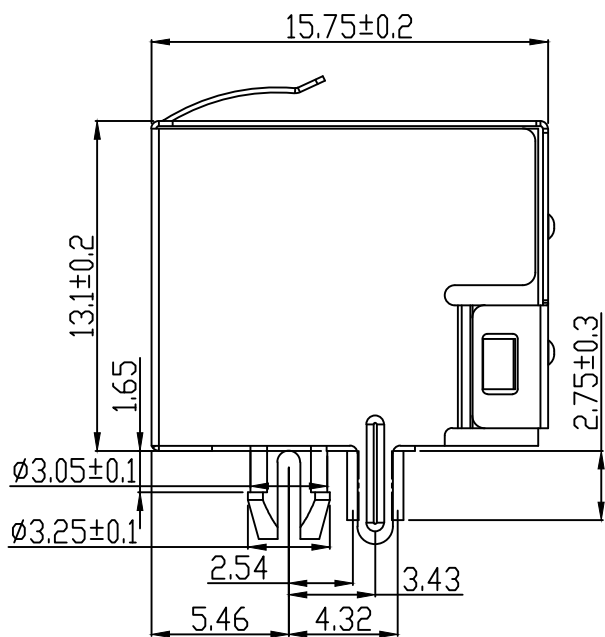
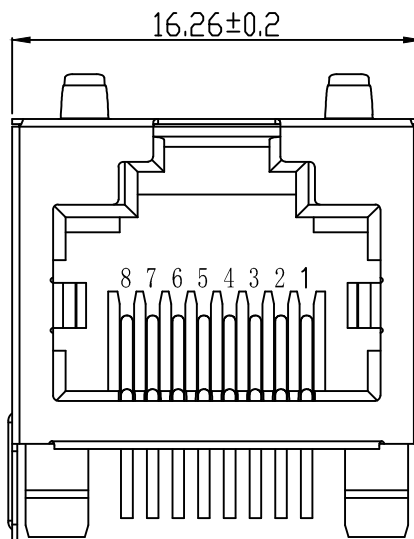
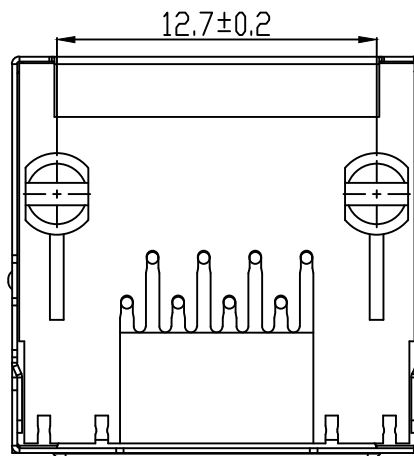


PC Board Layout



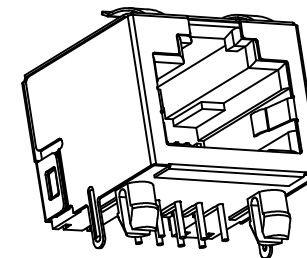
NOTES:

ELECTRICAL:

1. VOLTAGE RATING: 125V AC.
  2. CURRENT RATING: 1.5A.
  3. CONTACT RESISTANCE: 30 mΩ MAX.
  4. INSULATION RESISTANCE: 500 MΩ MIN @ 500V DC.
  5. DIELECTRIC STRENGTH: 1000V AC 50Hz or 60Hz, 1MIN.
- MECHANICAL:
1. INSERT MATERIAL: UL94V-0.
  2. CONTACT MATERIAL:  $\phi$ 0.46mm C51000 (QSn4-0.3) PHOSPHOR BRONZE GOLD PLATING OVER NICKEL.
  3. SHIELD: 0.20mm THICKNESS H65Y BRASS NICKEL PLATED.
  4. MATING/UNMATING FORCE: 2.2KG.F MAX.
  5. RETENTION STRENGTH: 5.0KG.F MIN BETWEEN JACK AND PLUG.
  6. OPERATING LIFE: 750 CYCLES MIN.

ENVIRONMENTAL:

1. STORAGE: -40°C ~ +85°C RELATIVE HUMIDITY<70%.
2. OPERATION: -40°C ~ +85°C.



RoHS Compliant

TOLERANCES ARE

**MORETHANALL**  
PCB CONNECTORS  
Cable ASSEMBLIES

DRAWING BY CY

CHECKED BY GENIUS

UNIT / mm

SCALE 1 : 1

DATE

SIZE A4

X, ±  
.X ± 0.25  
.XX ± 0.15  
.XXX ± 0.05  
ANG ±

照片框

煜倫股份有限公司

www.morethanall.com

PJECTION

ORDER INFORMATION

MJF13U-KT06B3-0808-LF

SERIES

|

|

|

|

|

|

|

|

LEADFREE

8P8C

REAR TAB 3.43mm

06u" GOLD

TOP SPRING

BLACK

DESCRIPTION: