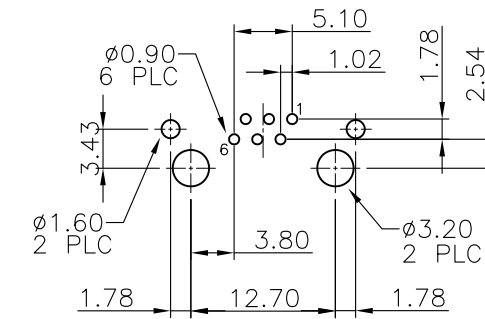


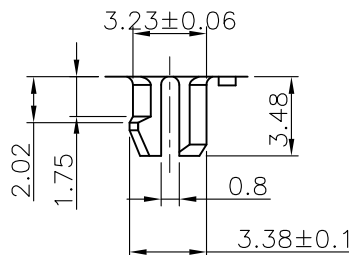
MATERIAL:

- HOUSING—DSM STANYL TE250F6 (NYLON-46)  
HEAT DEFLECTION TEMP.290°  
BLACK COLOR, UL94V-0
- CONTACTS—0.35mm THICK PHOS-BRONZE PLATED  
WITH 6u" HARD GOLD AND GOLD FLASH IN  
SOLDER AREA.
- SHIELD—0.20mm THICK COPPER ALLOY,  
PLATED WITH NICKEL.

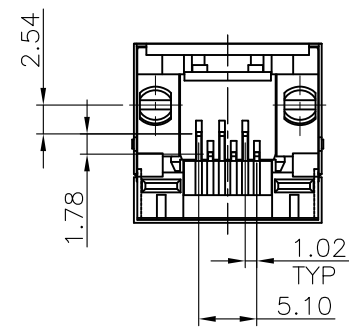
CAVITY CONFIRMS TO FCC RULES AND REGULATIONS  
PART 68,SUBPART F.



RECOMMENDED PCB LAYOUT (THICKNESS: 1.6mm)  
DIMENSION TOLERANCE: 1 PLC: ±0.1 2PLC: ±0.05  
TOP VIEW



DETAIL Z



RoHS Compliant

TOLERANCES ARE  
X, ±  
.X ± 0.25  
.XX ± 0.13  
.XXX ± 0.05  
ANG ±



ORDER INFORMATION

MJF13U-KT06B3-0606-LF  
SERIES | REAR TAB 3.43mm | LEADFREE  
6P6C  
06u" GOLD  
TOP SPRING  
BLACK

DESCRIPTION: MODULAR JACK, RJ11, DIP TYPE, SIDE ENTRY PCB JACK

**MORETHANALL**  
PCB CONNECTORS  
Cable ASSEMBLIES  
煜倫股份有限公司  
www.morethanall.com

DRAWING BY CY		UNIT / mm	SCALE 1 : 1	DATE	SIZE A4	PJECTION
CHECKED BY GENIUS						
TOLERANCES ARE						
X, ±						
.X ± 0.25						
.XX ± 0.13						
.XXX ± 0.05						
ANG ±						