

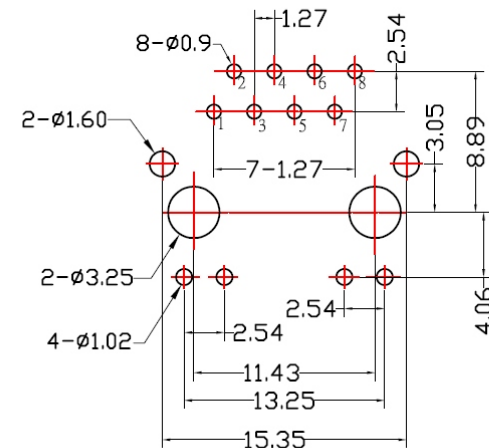
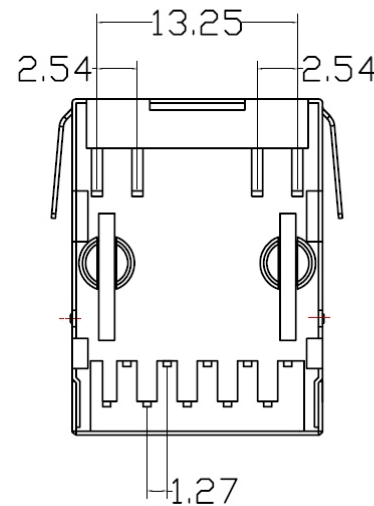
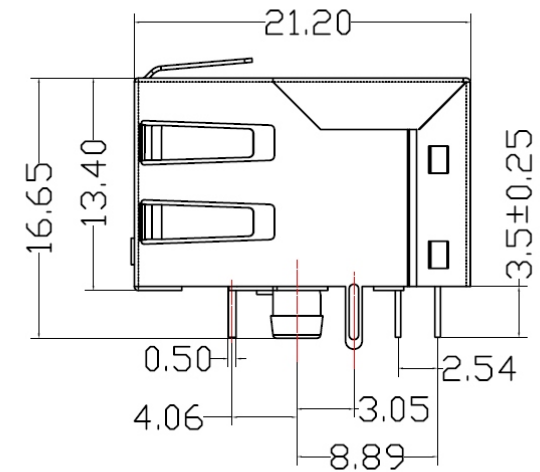
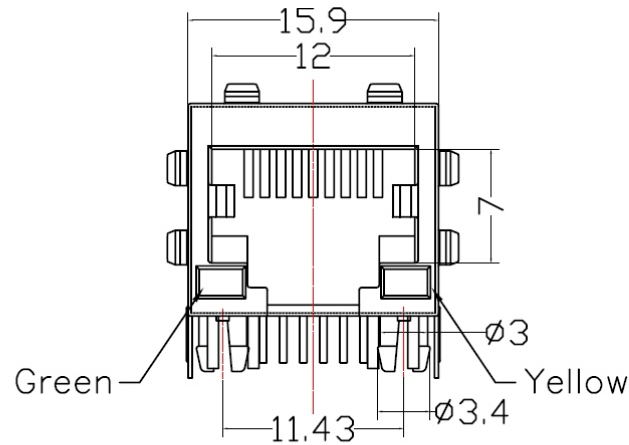
Material

Housing : Glass Filled Polyester (UL94V-0)

Standard Colour : Black

Contact : 0.35mm Dia Phosphor Bronze Gold Plating Over Nickel

Shielded: Compound Metal Alloy With Nickel plated



PCB LAYOUT

RoHS Compliant



PART NO. MJF13TLHA-KF06B3GY-0808

DWG NO. MJF13TLHA-KF06B3GY-0808

FILE NO.

UNIT / mm

SCALE 1:1

CHECKED BY CY

DRAWING BY

PROJECTION

TOLERANCES ARE

.X \pm 0.2
.XX \pm
.XXX \pm
AWG

DESCRIPTION:

AREA

REVISIONS

HK

DATE

煜倫股份有限公司

Electrical Specifications:

Isolation Voltage:1500 Vrms(INPUT to output)

Rise Time(10-90%):2.5ns Typical

OCL:350uH Minimum @100KHz 8mADC

Insertion Loss:-1.0dB Max. @100KHz-100MHz

Return Loss:-16dB Minimum @1MHz-30MHz

-14dB Minimum @40MHz-50MHz

-13dB Minimum @60MHz

-10dB Minimum @80MHz

Crosstalk:-40dB Typ. @30KHz-100MHz

Operating Temperature:0°~+70°

Turn Ratio:RX=1CT:1CT(±3%) TX=1CT:1CT(±3%)

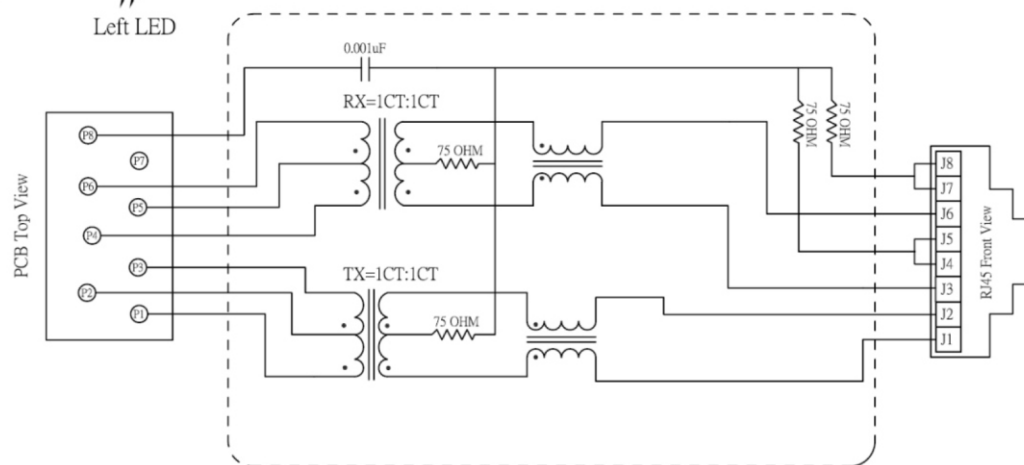
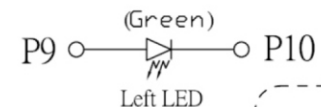
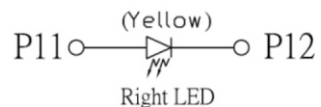
Cw/w:28pF Typ. @100KHz 100mV

Leakage Inductance(TX&RX):0.5uH Max

CMRR:-40dB Typ. @100KHz - 100MHz

Schematics:

鐵腳位	槽針數	圓扁針	u*數	層胞數	簧片	接地孔	後幾鐵腳	LED	LED腳位	塑殼	電路代號	備註
SC	08	1	6	1	3	0	0	4	2	0	2C	



PART NO. MJF13TLHA-KF06B3GY-0808

DWG NO. MJF13TLHA-KF06B3GY-0808

CHECKED BY CY

TOLERANCES ARE

DESCRIP TION:

FILE NO.

DRAWING BY

.X ± 0.2
.XX ± 0.1

AREA REVISIONS HK DATE

UNIT / mm

SCALE 1:1

PROJECTION

.XXX ±
AWG

煜倫股份有限公司