

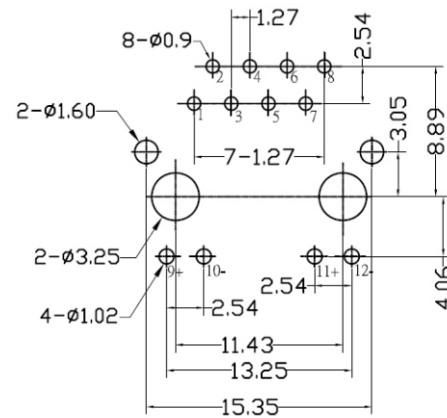
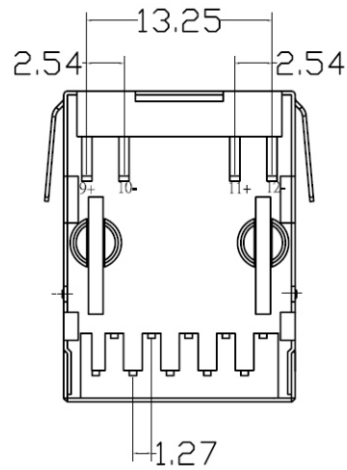
Material

Housing : Glass Filled Polyester (UL94V-0)

Standard Colour : Black

Contact : 0.35mm Dia Phosphor Bronze Gold Plating Over Nickel

Shielded: 0.20mm Thickness Copper Alloy With Tin plated



PCB LAYOUT



煜倫股份有限公司

PART NO. MJF13TLH-KF06B3YG-0808

DWG NO. MJF13TLH-KF06B3YG-0808

FILE NO.

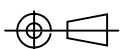
UNIT / mm

CHECKED BY CY

DRAWING BY

SCALE 1:1

PROJECTION



TOLERANCES ARE

.X ± 0.2
.XX ±
.XXX ±
AWG

DESCRIPTION:

AREA

REVISIONS

REVISIONS

HK

DATE

RoHS Compliant

Electrical Specifications:

Isolation Voltage:1500 Vrms(INPUT to output)

Rise Time(10-90%):2.5ns Typical

OCL:350uH Minimum @100KHz 8mADC

Insertion Loss:-1.0dB Max. @100KHz-100MHz

Return Loss:-18dB Minimum @1MHz-30MHz

-15dB Minimum @40MHz-50MHz

-10dB Minimum @60MHz-80MHz

Crosstalk:-38dB Typ. @100KHz-100MHz

Operating Temperature:0°~+70°

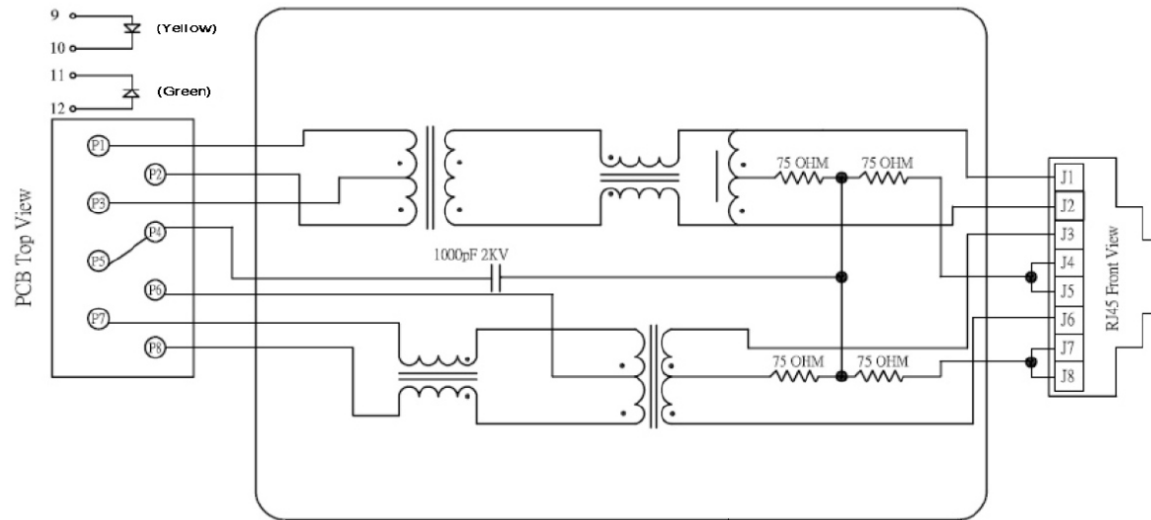
Turn Ratio:RX=1CT:1CT(±3%) TX=1CT:1CT(±3%)

Cw/w:20pF Typ. @100KHz 100mV

Leakage Inductance(TX&RX):0.4uMHz Max

CMRR:-40dB Typ. @100KHz - 100MHz

Schematics:



MORETHANALL
CONNECTORS
ASSEMBLIES

PART NO. MJF13TLH-KF06B3YG-0808

DWG NO. MJF13TLH-KF06B3YG-0808

CHECKED BY CY

TOLERANCES ARE

DESCRIP TION:

煜倫股份有限公司

FILE NO.

DRAWING BY

.X ± 0.2

.XX ±

.XXX ±

AWG

AREA

REVISIONS

HK

DATE

UNIT / mm

SCALE 1:1

PROJECTION

