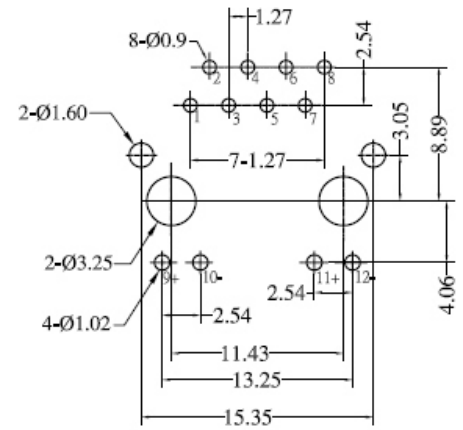
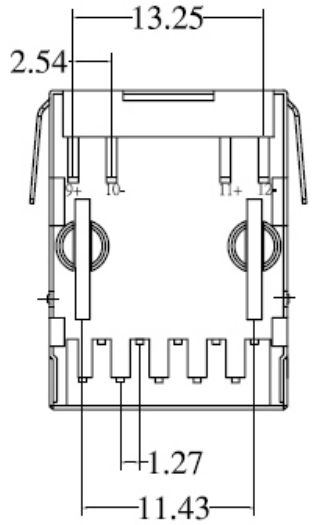


Material  
 Housing : Glass Filled Polyester (UL94V-0)  
 Standard Colour : Black  
 Contact : 0.35mm Dia Phosphor Bronze Gold(6u") Plating Over Nickel  
 Shielded: 0.20mm Thickness Copper Alloy With Tin plated



**MJF13TLH-KF06B3GY-0808-LF**

LEADFREE

**RoHS Compliant**

**PCB LAYOUT**



煜倫股份有限公司

PART NO. MJF13TLH-KF06B3GY-0808		CHECKED BY CY		TOLERANCES ARE .X $\pm$ 0.2 .XX $\pm$ .XXX $\pm$ AWG	DESCRIP TION:			
DWG NO. MJF13TLH-KF06B3GY-0808		DRAWING BY			AREA	REVISIONS	HK	DATE
UNIT / mm	SCALE 1:1	PROJECTION						

# Electrical Specifications:

Isolation Voltage: 1500 Vrms (INPUT to output)

Rise Time (10-90%): 2.5ns Typical

OCL: 350uH Minimum @ 100KHz 8mADC

Insertion Loss: -1.0dB Max. @ 100KHz-100MHz

Return Loss: -18dB Minimum @ 1MHz-30MHz

-15dB Minimum @ 40MHz-50MHz

-10dB Minimum @ 60MHz-80MHz

Crosstalk: -38dB Typ. @ 100KHz-100MHz

Operating Temperature: 0° ~ +70°

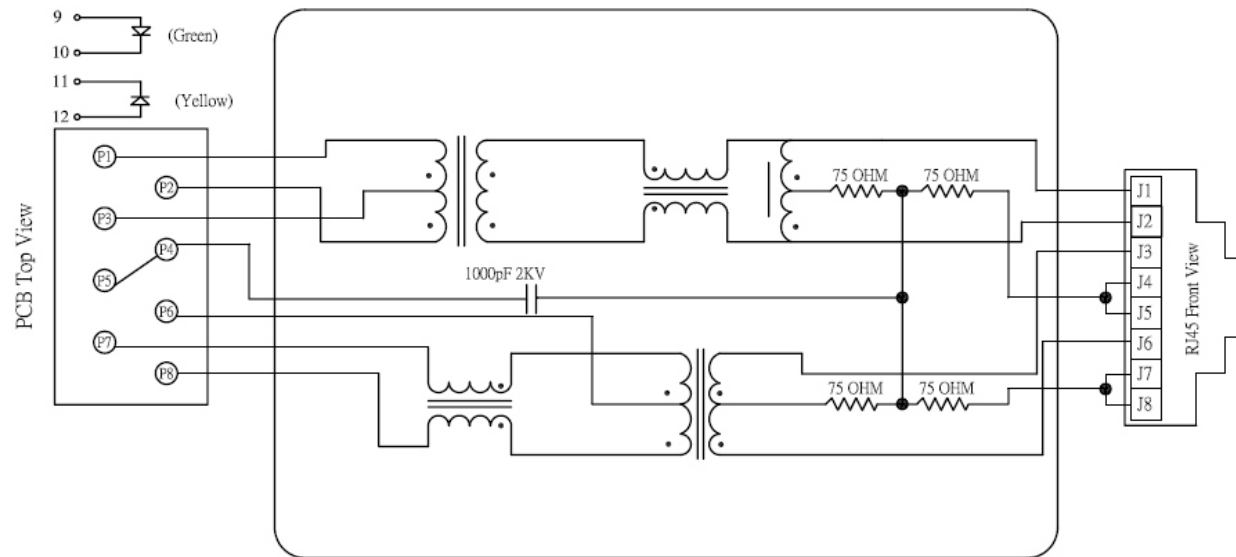
Turn Ratio: RX=1CT:1CT(±3%) TX=1CT:1CT(±3%)

Cw/w: 20pF Typ. @ 100KHz 100mV

Leakage Inductance (TX&RX): 0.4uMHZ Max

CMRR: -40dB Typ. @ 100KHz - 100MHz

## Schematics:



**MORETHANALL**  
CONNECTORS  
ASSEMBLIES

PART NO. MJF13TLH-KF06B3GY-0808

DWG NO. MJF13TLH-KF06B3GY-0808

CHECKED BY CY

TOLERANCES ARE

FILE NO.

DRAWING BY

.X ± 0.2

.XX ±

.XXX ±

AWG

DESCRIPTION:

煜倫股份有限公司

UNIT / mm

SCALE 1:1

PROJECTION

AREA

REVISIONS

HK

DATE