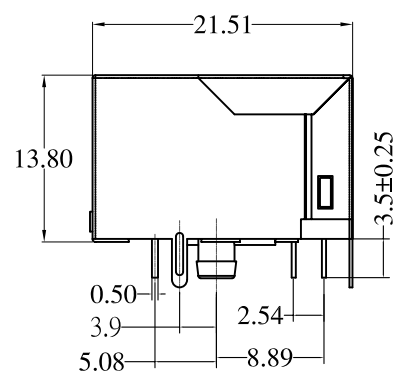
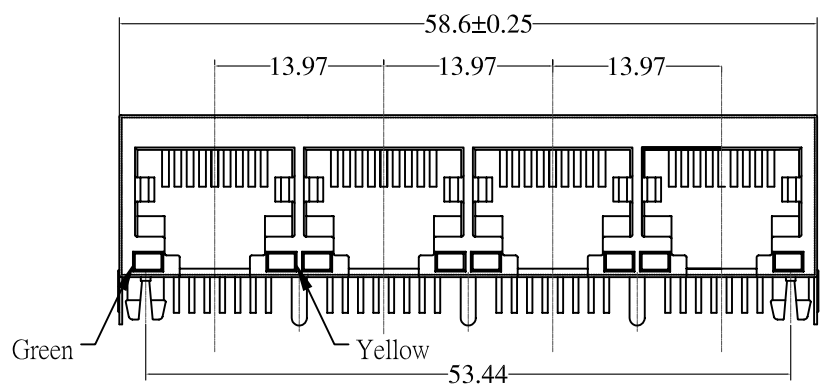
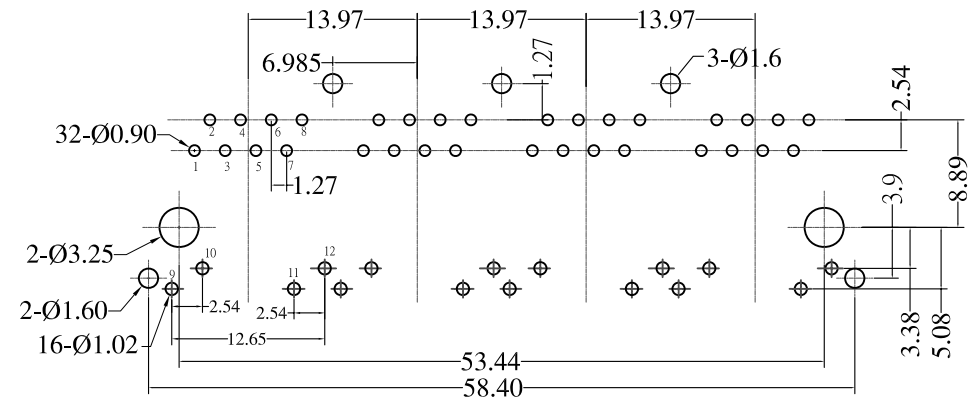
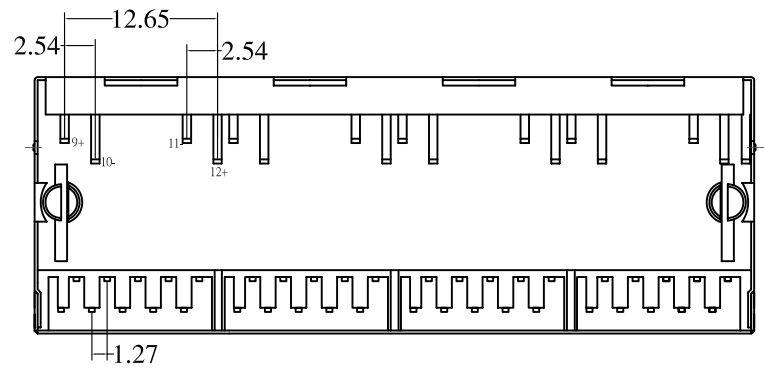


Mechanicals



Material
 Housing : Glass Filled Polyester (UL94V-0)
 Standard Colour : Black
 Contact : 0.35mm Dia Phosphor Bronze Gold Plating Over Nickel
 Shielded: 0.20mm Thickness Copper Alloy With Tin plated



PBT LAYOUT

RoHS Compliant



PART NO. MJF13TLA4-KX06A3GY-88

DWG NO. MJF13TLA4-KX06A3GY-88

FILE NO.

CHECKED BY CY

DRAWING BY

TOLERANCES ARE
 .X ± 0.2
 .XX ±
 .XXX ±
 AWG

DESCRIPTION:

4 PORTS RJ-45 JACK

焯倫股份有限公司

UNIT / mm

SCALE 1:1

PROJECTION

AREA

REVISIONS

HK

DATE

Electrical Specifications:

Isolation Voltage: 1500 Vrms (INPUT to output)

Rise Time (10-90%): 2.5ns Typical

OCV: 350uH Minimum @ 100KHz 8mADC

Insertion Loss: -1.0dB Max. @ 100KHz-100MHz

Return Loss: -18dB Minimum @ 1MHz-30MHz

-15dB Minimum @ 40MHz-50MHz

-10dB Minimum @ 60MHz-80MHz

Crosstalk: -38dB Typ. @ 100KHz-100MHz

Operating Temperature: 0° ~ +70°

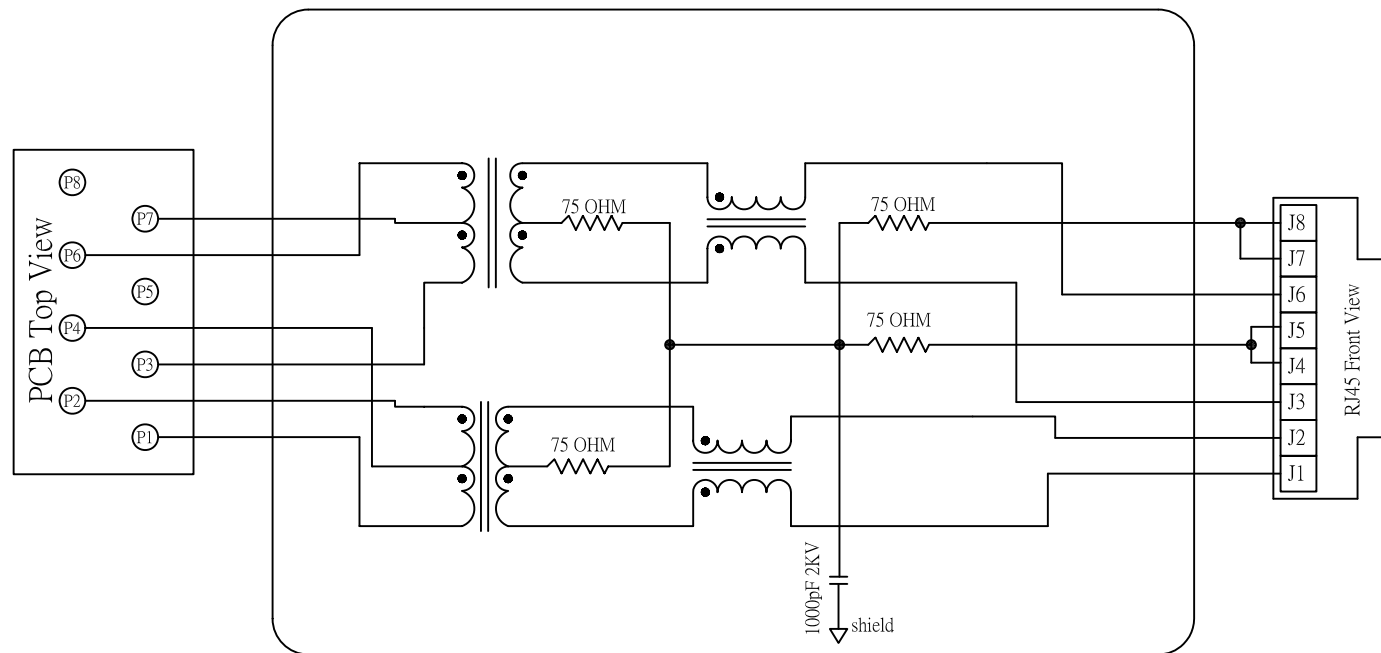
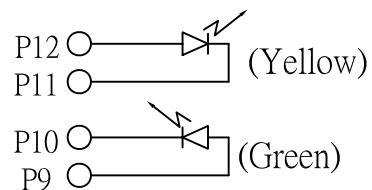
Turn Ratio: RX=1CT:1CT(±3%) TX=1CT:1CT(±3%)

Cw/w: 20pF Typ. @ 100KHz 100mV

Leakage Inductance (TX&RX): 0.4uMHz Max

CMRR: -40dB Typ. @ 100KHz - 100MHz

Schematics:



MORETHANALL
CONNECTORS
ASSEMBLIES

PART NO. MJF13TLA4-KX06A3GY-88

DWG NO. MJF13TLA4-KX06A3GY-88

FILE NO.

CHECKED BY CY

DRAWING BY

TOLERANCES ARE

.X ± 0.2
.XX ±
.XXX ±
AWG

DESCRIPTION:

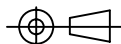
4 PORTS RJ-45 JACK

焜倫股份有限公司

UNIT / mm

SCALE 1:1

PROJECTION



AREA

REVISIONS

HK

DATE