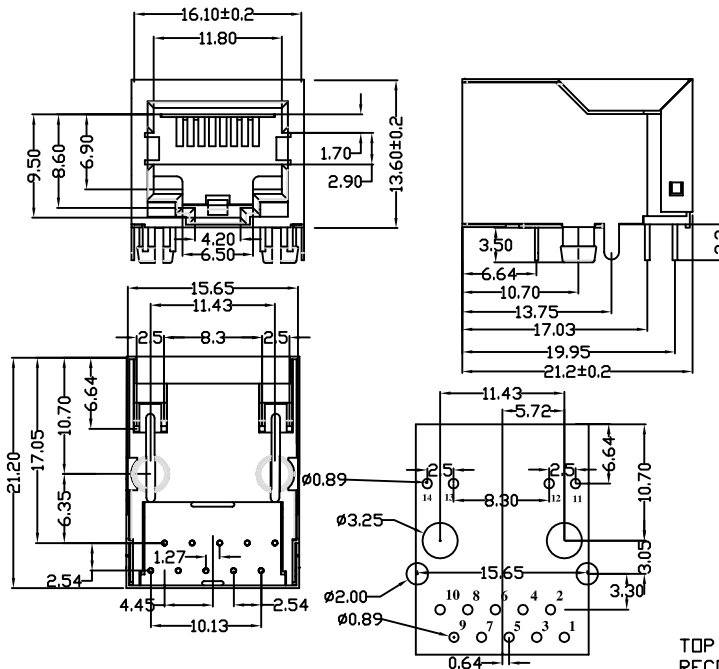
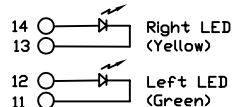


Electrical Specifications: @25°C

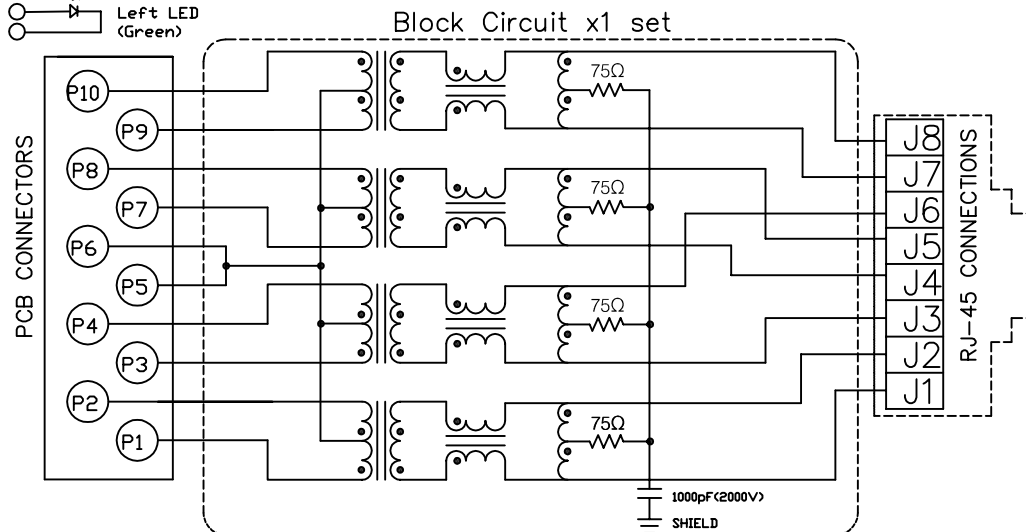
Isolation Voltage: 1500 Vrms (INPUT to OUTPUT)
 Rise Time (10-90%): 2.5ns Typical
 OCL: 350uH Min. @100KHz/100mV 8mADC
 Insertion Loss: -1.0dB Max. @100KHz - 100MHz
 Return Loss: -18dB Min. @1MHz - 30MHz
 -14dB Min. @40MHz
 -13dB Min. @50MHz
 -12dB Min. @60MHz - 80MHz
 -10dB Min. @100MHz
 Operating Temperature: 0°C ~ +70°C



Schematics:



TOP VIEW (COMPONENT SIDE)
 RECOMMENDED P.C.B. LAYOUT



MORE THAN ALL
 CONNECTORS
 ASSEMBLIES

PART NO. MJF13TL12-KX15B3GY-0808

DWG NO. MJF13TL12-KX15B3GY-0808

CHECKED BY CY

TOLERANCES ARE

DESCRIPTION:

1 PORT RJ-45 JACK
With 1000Base-T Magnetics Module
Smooth Shield, With LED

焯倫有限公司

FILE NO.

DRAWING BY

.X ±
 .XX ±
 .XXX ±
 AWG

AREA

REVISIONS

HK

DATE

UNIT / mm

SCALE 1:1

PROJECTION

