

1 PORT RJ-45 JACK
With 1000Base-T Magnetics Module
Spring Shield, With LED

Electrical Specifications: @ 25°C

Isolation Voltage: 1500 Vrms (INPUT to OUTPUT)

Rise Time (10-90%): 2.5ns Typical

OCL: 350uH Min. @100KHz/100mV 8mADC

Insertion Loss: -1.0dB Max. @100KHz - 100MHz

Return Loss: -18dB Min. @1MHz - 30MHz

-14dB Min. @40MHz

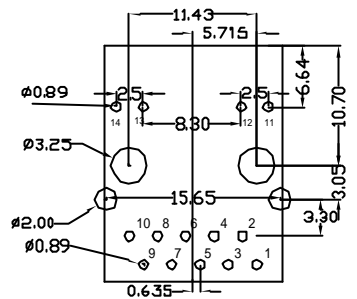
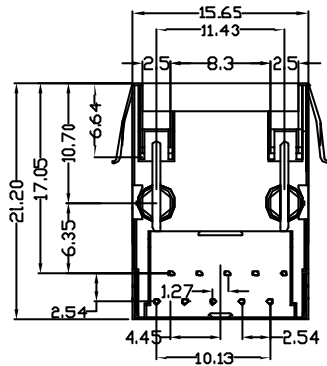
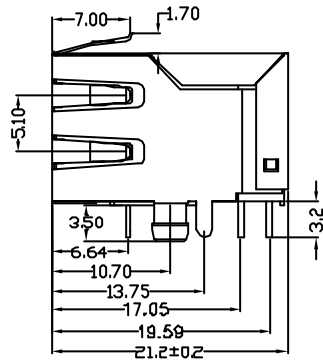
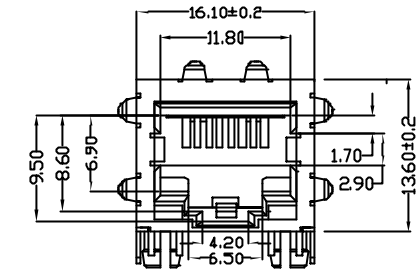
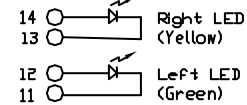
-13dB Min. @50MHz

-12dB Min. @60MHz - 80MHz

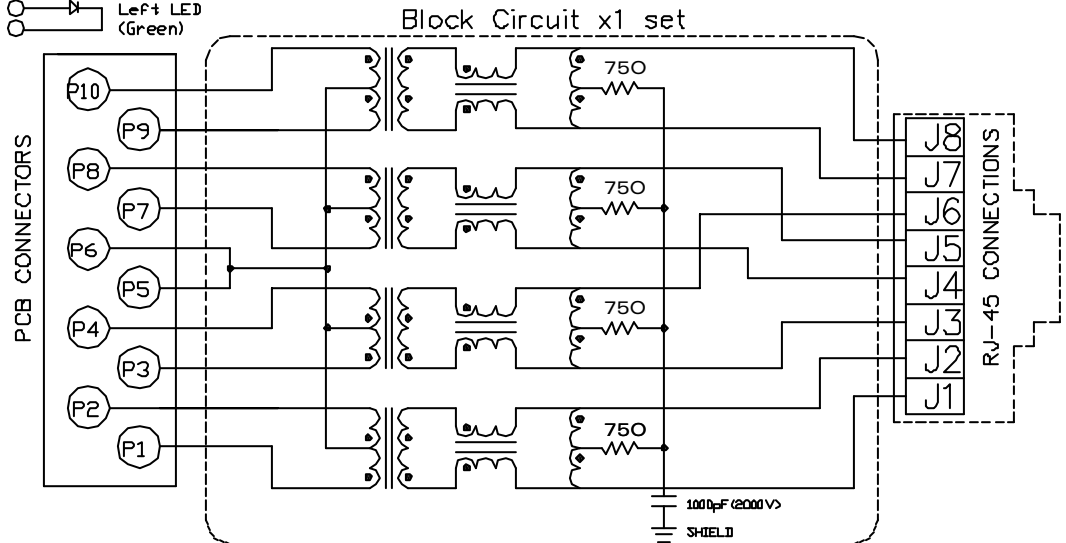
-10dB Min. @100MHz

Operating Temperature: 0°C ~ +70°C

Schematics:



TOP VIEW (COMPONENT SIDE)
RECOMMENDED P.C.B. LAYOUT



MORETHANALL
 CONNECTORS
 ASSEMBLIES

PART NO. MJF13TL12-KF15B3GY-0808

DWG NO. MJF13TL12-KF15B3GY-0808

FILE NO.

UNIT / mm

SCALE 1:1

CHECKED BY CY

DRAWING BY

PROJECTION



TOLERANCES ARE

.X ±
 .XX ±
 .XXX ±
 AWG

DESCRIPTION:

AREA

REVISIONS

HK

DATE

焯倫有限公司