

TRANSFORMER TYPE 1

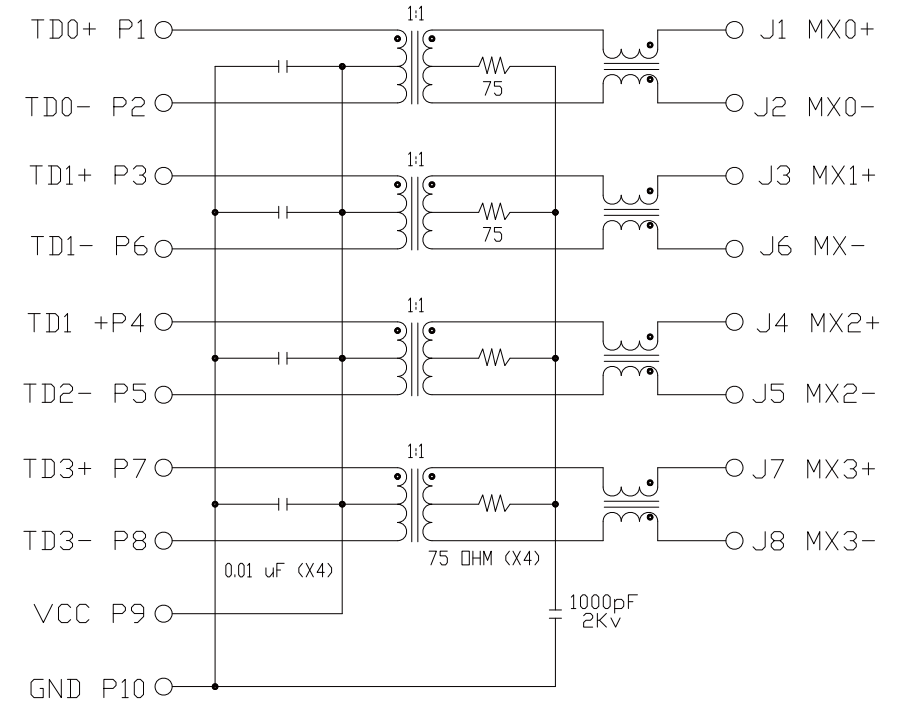
Specification :

Item	Parameter	Condition	Min.	Typ.	Max.	Unit	REMARK
1	Insertion loss	1-100 MHz			-1.1	dB	
2	Return loss	1-40 MHz	-18			dB	
		60 MHz	-14.5			dB	
		80 MHz	-12			dB	
	100 MHz	-10			dB		
3	□CL @100KHz, 0.1Vrms, 8mA DC BIAS	(1-3), (4-6)	350			μH	
4	Crosstalk	1-100 MHz				dB	NOTE 1
5	Hipot	Vrms	1.5			kV	
6	CMRR	1-100MHz		-40		dB	
7	Operating Temp	0 to +70°C					

*NOTE 1: $-[33-20 \log (F/100\text{MHz})]$ dB Typ.

CONNECTOR SOLDER SIDE

CONTACT SIDE
RJ45



CONNECTOR SCHEMATIC

RoHS Compliant

TOLERANCES ARE

MORETHANALL
PCB CONNECTORS
Cable ASSEMBLIES

DRAWING BY CY

X. ±

CHECKED BY GENIUS

.X ±

UNIT / mm

SCALE 1 : 1

.XX ±

DATE

.XXX ±

ANG ±

照片框

ORDER INFORMATION

MJF13T910ULA4-KF06B3xx-0808

SERIES

8P8C

BLACK FULL SPRING 06u" GOLD
YG:LED1 :YELLOW / LED2:GREEN
GY:LED1 :GREEN / LED2:YELLOW
REAR TAB 3.05mm

煜倫股份有限公司

www.morethanall.com

SIZE A4

PJECTION

DESCRIPTION: TRANSFORMER TYPE 1 SPECIFICATION