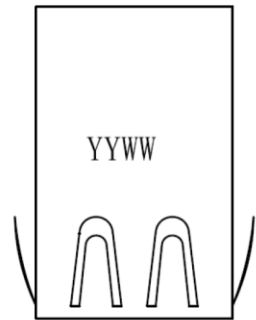
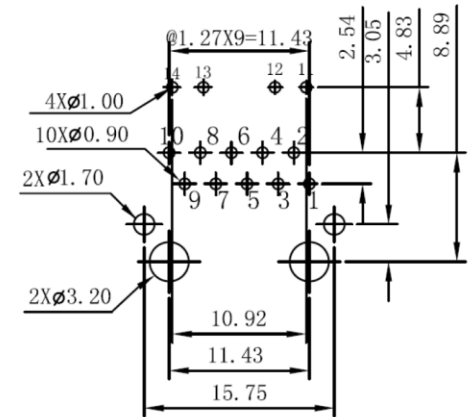
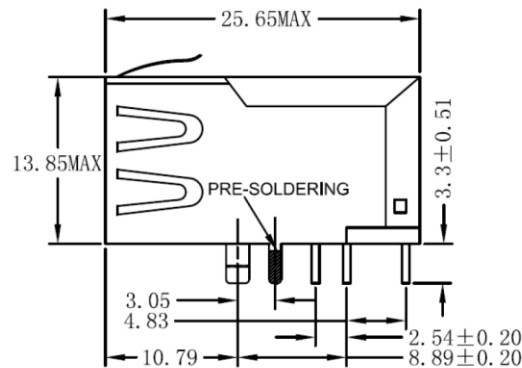
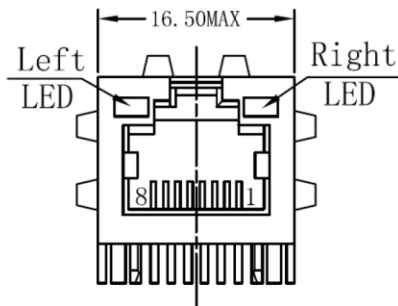


一、Mechanical Dimensions



YY:Year WW:Week



PC Board Layout
Component Side Shown

UNIT:mm Unless otherwise specified, all tolerances are ±0.25

RoHS Compliant

TOLERANCES ARE

MORETHANALL
PCB CONNECTORS
Cable ASSEMBLIES

煜倫股份有限公司

www.morethanall.com

DRAWING BY CY

CHECKED BY GENIUS

UNIT / mm SCALE 1 : 1

DATE

SIZE A4

X. ±

.X ±

.XX ±

.XXX ±

ANG ±

P PROJECTION

照片框

ORDER INFORMATION

MJF13T910UL-KF06B3GY-0808

SERIES

8P8C

BLACK

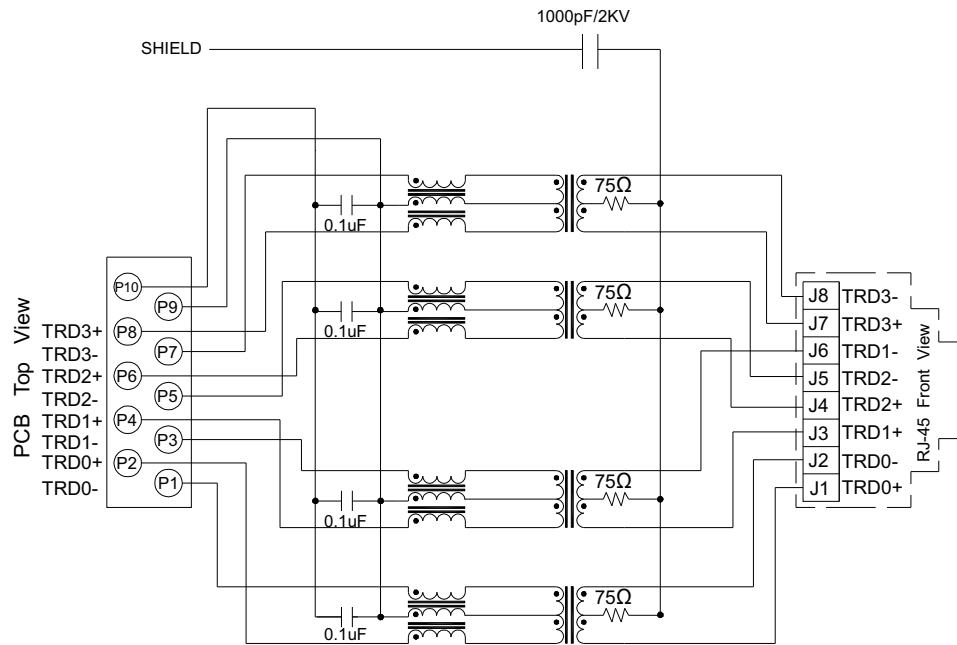
LEFT :YELLOW / RIGHT:GREEN

REAR TAB 3.05mm

06u" GOLD
FULL SPRING

DESCRIPTION: 1000 BASE-T SINGLE PORT RJ45 JACK MAGNETICS

二、Schematics



三、ELECTRICAL SPECIFICATIONS@25 °C:

1. Turn Ratio($\pm 2\%$): 1CT:1CT
2. Inductance(100KHz/0.1V@8mA)350uH MIN
3. Insertion Loss(dB MAX):- 1.0dB(0.3-100MHz)
4. Return Loss(dB MIN): -18dB(1-30MHz),-13dB(30-60MHz),-10dB(60-100MHz),
5. Cross talk(dB MIN):-30dB(1-100MHz)
6. CMR(dB MIN): -30dB(1-100MHz)
7. HI-POT(Pri to Sec): 2250Vdc/0.5mA/60Sec
8. Operating Temperature: 0°C TO +70°C
9. RoHS compliance: YES



| Standard LED | Wavelength | Forward*V(MAX) | TYP |
|--------------|------------|----------------|------|
| Green | 565nm | 2.5v | 2.2v |
| Yellow | 585nm | 2.5v | 2.1v |

With a forward current of 20mA

RoHS Compliant

TOLERANCES ARE

MORETHANALL
PCB CONNECTORS
Cable ASSEMBLIES

煜倫股份有限公司

www.morethanall.com

DRAWING BY CY

CHECKED BY GENIUS

UNIT / mm SCALE 1 : 1

DATE

SIZE A4

X, \pm

.X, \pm

.XX, \pm

.XXX, \pm

ANG, \pm

PPOJECTION

照片框

ORDER INFORMATION

MJF13T910UL-KF06B3GY-0808

SERIES

8P8C

LEFT :YELLOW / RIGHT:GREEN

BLACK REAR TAB 3.05mm

06u" GOLD FULL SPRING

DESCRIPTION: 1000 BASE-T SINGLE PORT RJ45 JACK MAGNETICS

四、Mechanicals

Housing Material:

MATERIAL:NYLON 66 UL94V-0 STANDARD COLOR:BLACK

Insert Material:

MATERIAL:Phos-Bronze C5210 EH---0.35mm Thickness

Insert -PBT GF UL94V-0

- 1.PLATING(1) NICKEL
- 2.PLATING(2) 100%Sn
- 3.PLATING(3) GOLD (3u " ~ 50u ")

Plate Material:

PBT GF UL 94V-0

Contact pin Material:

MATERIAL: Phos-Bronze C5191---0.35mm Thickness

- 1.PLATING(1) NICKEL
- 2.PLATING(2) 100%Sn

Shielding Material:

BRASS C2680 PLATING NICKEL

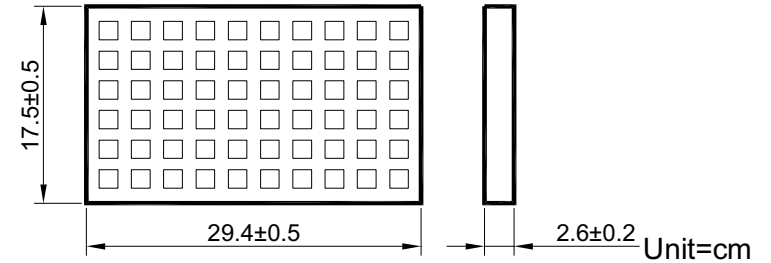
Operating Life:750 Cycles MIN.

五、Environmental

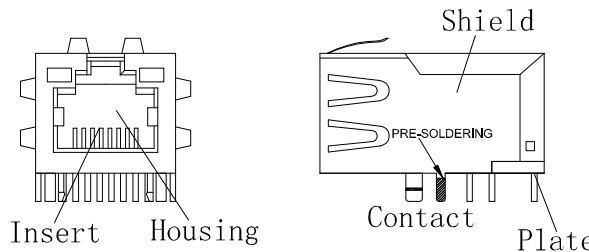
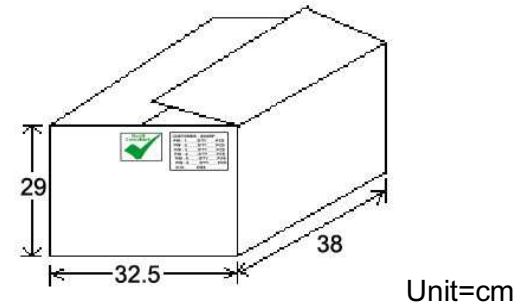
- 1.Storage Temp:-40°C TO +85°C.
- 2.Operating Temp: :0°C TO +70°C
- 3.MATES WITH MODULAR PLUG CONFORMING TO FCC PART 68,SUBPART F.

六、Packaging

1. packaging unit : 60 PCS/tray
2. packaging material : PET



3. outer carton unit 1080 pcs/ 18 Trays/box
4. Weight: 10.0kg per carton



MORETHANALL
PCB CONNECTORS
Cable ASSEMBLIES

煜倫股份有限公司

www.morethanall.com

RoHS Compliant

DRAWING BY CY

CHECKED BY GENIUS

UNIT / mm SCALE 1 : 1

DATE

SIZE A4

TOLERANCES ARE

X. ±
.X ±
.XX ±
.XXX ±
ANG ±

PJECTION

照片框

ORDER INFORMATION

MJF13T910UL-KF06B3GY-0808

SERIES

8P8C

LEFT :YELLOW / RIGHT:GREEN

BLACK

REAR TAB 3.05mm

06u" GOLD
FULL SPRING

DESCRIPTION: 1000 BASE-T SINGLE PORT RJ45 JACK MAGNETICS