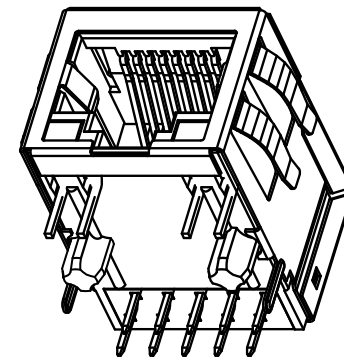
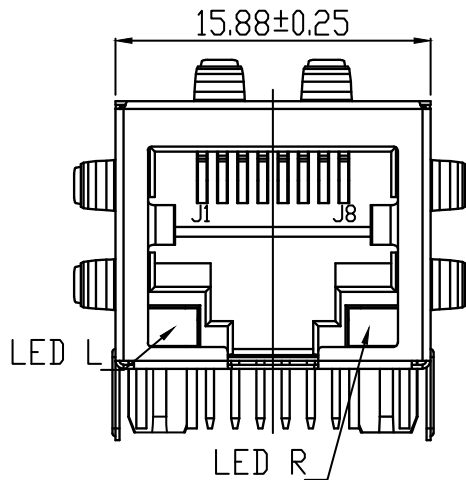
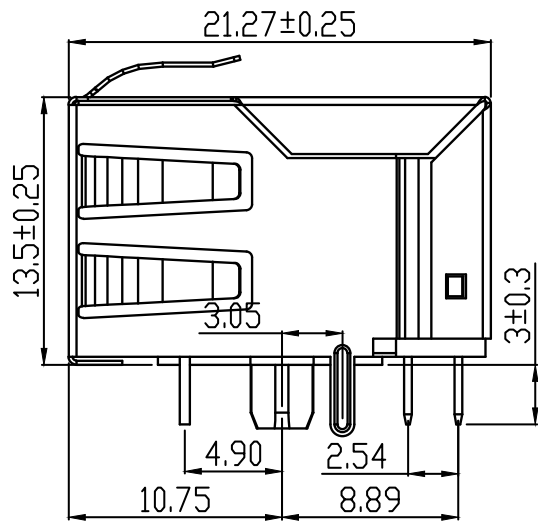
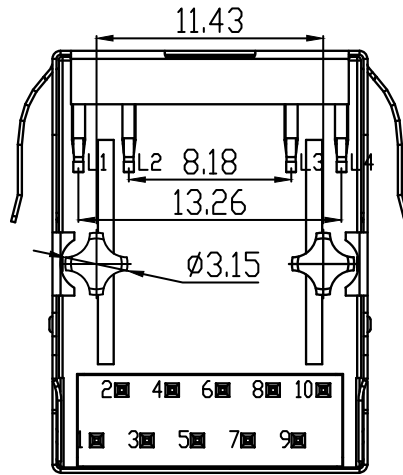


PC Board Layout



MECHANICAL:

1. INSERT MATERIAL: PBT UL94V-0.
2. CONTACT MATERIAL: C5191 (QSn6.5-0.1)
PHOSPHOR BRONZE T=0.35mm.
3. PLATING: 1. CONTACT AREA-SELECTIVE GOLD PLATING.
: 2. TAILS PLATING TIN OVER NICKEL.
4. SHIELD: 0.20mm THICKNESS H65Y BRASS NICKEL PLATED.
5. MATING FORCE: 2.2KG. F MAX.
6. OPERATING LIFE: 750 CYCLES MIN.

ENVIRONMENTAL:

1. STORAGE: -40°C ~ +85°C RELATIVE HUMIDITY < 70%.
2. OPERATION: -40°C ~ +85°C.

RoHS Compliant

TOLERANCES ARE

MORETHANALL
PCB CONNECTORS
Cable ASSEMBLIES

DRAWING BY CY

CHECKED BY GENIUS

UNIT / mm SCALE 1:1

DATE

SIZE A4

X, ±
.X ± 0.25
.XX ± 0.15
.XXX ± 0.05
ANG ±

P PROJECTION

照片框

ORDER INFORMATION

MJF13T910L-KF06B3GY-0808

SERIES

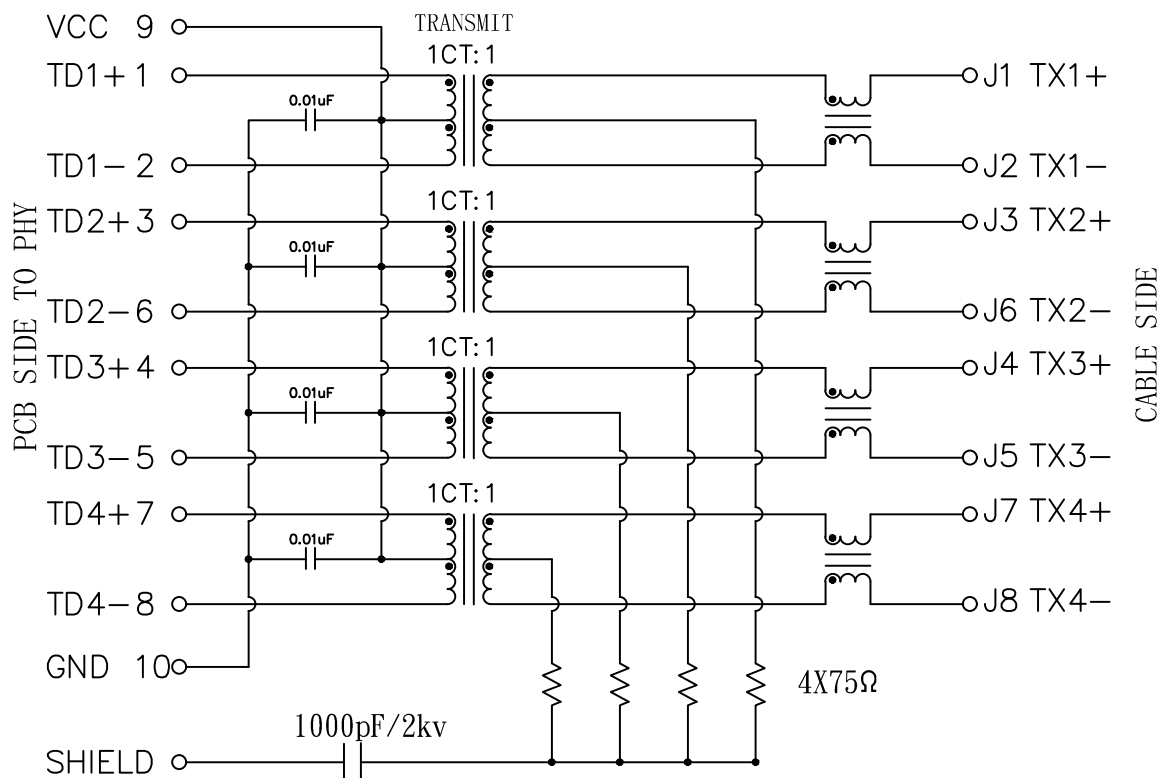
BLACK
6u" GOLD
FULL SPRING

8P8C
LED L LED R
GY: GREEN / YELLOW
REAR TAB 3.05mm

煜倫股份有限公司

www.morethanall.com

DESCRIPTION:



Electrical:

- Turn ratio: 1~2: J1~J2=1CT:1CT ($\pm 2\%$).
3~6: J3~J6=1CT:1CT ($\pm 2\%$).
4~5: J4~J5=1CT:1CT ($\pm 2\%$).
7~8: J7~J8=1CT:1CT ($\pm 2\%$).
- OCL: 350uH Min. at 100KHz 100mV 8mA DC.
- Insertion Loss: -1.0 dB Max 1~100MHz.
- Return loss: -18dB Min 1~30MHz;
-14dB Min 30~60MHz.
-12dB Min 60~80MHz.
-10dB Min 80~100MHz.
- Cross talk: -40dB Min 1~30MHz;
-35dB Min 30~60MHz;
-30dB Min 60~100MHz;
- CMR: -30dB Min 1~100MHz;
- Hi-Pot: 1500V AC & 2250V DC
6S 1mA PRI TO SEC

LED Specification

Standard LED Color	LED Wavelength	Foward(A)	Foward(V)
Green	568nm	20mA	1.85-2.45V
Yellow	585nm	20mA	1.7-2.2V

RoHS Compliant

TOLERANCES ARE

MORETHANALL
PCB CONNECTORS
Cable ASSEMBLIES

DRAWING BY CY

CHECKED BY GENIUS

UNIT / mm

SCALE 1 : 1

DATE

SIZE A4

X, \pm
.X \pm 0.25
.XX \pm 0.15
.XXX \pm 0.05
ANG \pm

P PROJECTION

照片框

ORDER INFORMATION

MJF13T910L-KF06B3GY-0808

SERIES

BLACK
6u" GOLD
FULL SPRING

8P8C

LED L LED R

GY: GREEN / YELLOW

REAR TAB 3.05mm

DESCRIPTION:

煜倫股份有限公司

www.morethanall.com