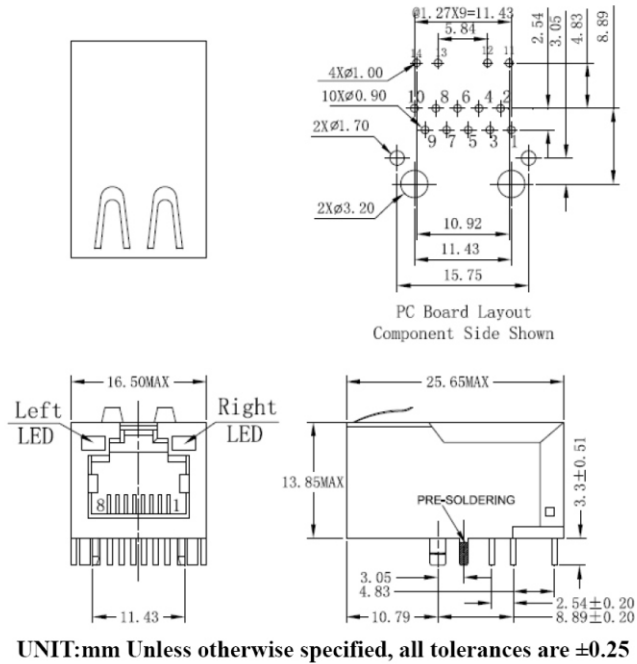
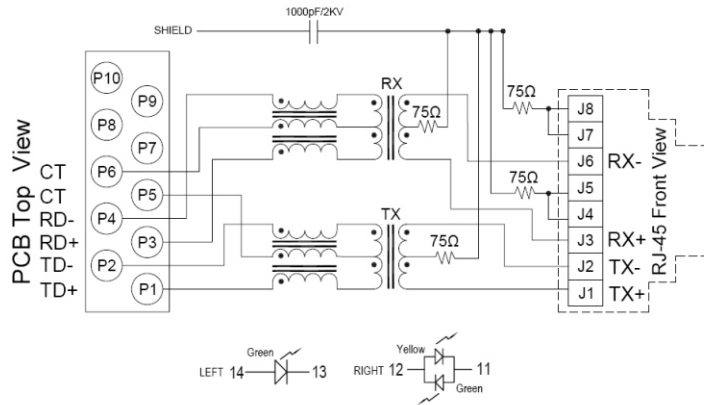


# 一、Mechanical Dimensions



# 二、Schematics



# 三、ELECTRICAL SPECIFICATIONS@25°C:

1. Turn Ratio(±5%): 1CT:1CT
2. OCL(100KHz/0.1V@8mA):350uH MIN.
3. Insertion Loss(dB MAX):-1.2dB(0.3-100MHz)
4. Return Loss(dB MIN): -16dB(1-30MHz),-13.5dB(40MHz),-11.5dB(50MHz),  
-10dB(60-100MHz)
5. Cross talk(dB MIN):-40dB(30MHz),-36dB(60MHz),-30dB(100MHz)
6. DCMR(dB MIN): -35dB(30MHz),-32dB(60MHz),-30dB(100MHz)
7. HI-POT(Pri to Sec) : 1500Vrms/0.5mA/60Sec or 1650Vrms/0.5mA/2Sec
8. Operating Temperature:-40°C TO +85°C
9. RoHS compliance:YES

RoHS Compliant

**MORETHANALL**  
CONNECTORS  
ASSEMBLIES

PART NO. MJF13T56UL-KT06B3GY-0808

DWG NO. MJF13T56UL-KT06B3GY-0808

CHECKED BY CY

TOLERANCES ARE

DESCRIP TION:

FILE NO.

DRAWING BY

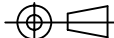
.X ± 0.2  
.XX ±  
.XXX ±  
AWG

煜倫股份有限公司

UNIT / mm

SCALE 1:1

PROJECTION



AREA

REVISIONS

HK

DATE

**四、Mechanicals**

**Housing Material:**

MATERIAL:NYLON GF (Fr50) UL94V-0 STANDARD COLOR:BLACK

**Insert Material:**

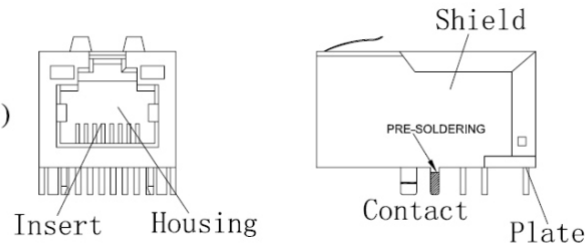
MATERIAL:Phos-Bronze C5210 EH---0.35mm Thickness

Insert -PBT GF UL94V-0

- 1.PLATING(1) NICKEL
- 2.PLATING(2) 100%Sn
- 3.PLATING(3) GOLD (3u " ~50u " )

**Plate Material:**

PBT GF UL 94V-0



**Contact pin Material:**

MATERIAL: Phos-Bronze C5191---0.35mm Thickness

- 1.PLATING(1) NICKEL
- 2.PLATING(2) 100%Sn

**Shielding Material:**

BRASS C2680 PLATING NICKEL

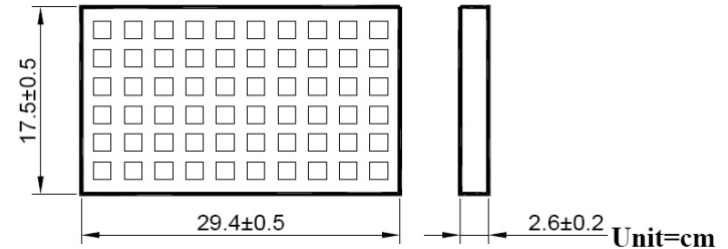
**Operating Life:**750 Cycles MIN.

**五、Environmental**

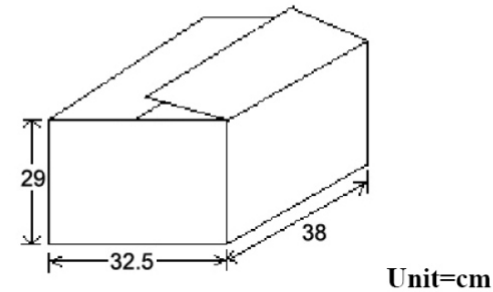
- 1.Storage Temp:-40°C TO +85°C.
- 2.Operating Temp: -40°C TO +85°C.
- 3.MATES WITH MODULAR PLUG CONFORMING TO FCC PART 68,SUBPART F.

**六、Packaging**

- 1. packaging unit : 60 PCS/tray
- 2. packaging material : PET



- 3. outer carton unit: 1080 pcs/ 18 Trays/box



RoHS Compliant



PART NO. MJF13T56UL-KT06B3GY-0808

DWG NO. MJF13T56UL-KT06B3GY-0808

CHECKED BY CY

TOLERANCES ARE

DESCRIP TION:

FILE NO.

DRAWING BY

.X ± 0.2  
.XX ±  
.XXX ±  
AWG

AREA

REVISIONS

HK

DATE

煜倫股份有限公司

UNIT / mm

SCALE 1:1

PROJECTION