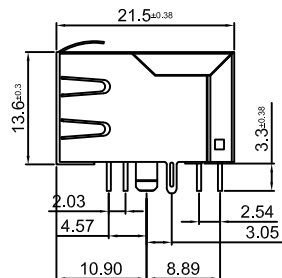
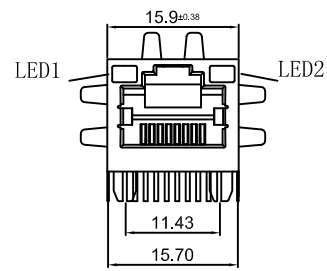


RECOMMENDED PCB LAYOUT
ALL DIMENSION TOLERANCE ARE ±0.05
UNLESS OTHERWISE SPECIFIED



1. Electrical Specification @25°C:

- 1.1 Insertion Loss:@ 1-100 MHz -1.0dB Max.
Return Loss:@ 1-30 MHz -18dB Min. LOAD 100 Ω.
 @ 30-60 MHz -16dB Min. LOAD 100 Ω.
 @ 60-80 MHz -12dB Min. LOAD 100 Ω.
- 1.2 Common Mode Rejection :@ 1-100 MHz -30dB Min.
- 1.3 Cross Talk:@ 1-100 MHz -30dB Min.
- 1.4 Inductance @100KHz/0.1V 350uH Min DC8mA
- 1.5 Hi-Pot Test:1500AC, 1sec .
- 1.6 DCR 1.3Ω(Max) .

Electrical:

- 1.Voltage Rating:125 Vac Rms.
- 2.Current Rating:1.5 Amp.
- 3.Contact Resistance:40 Milliohms Max.
- 4.Insulation Resistance:1000 Megohms Min @500 Vdc.
- 5.Dielectric Strength:1000 Vac Rms 60Hz, 1Min.

Mechanical:

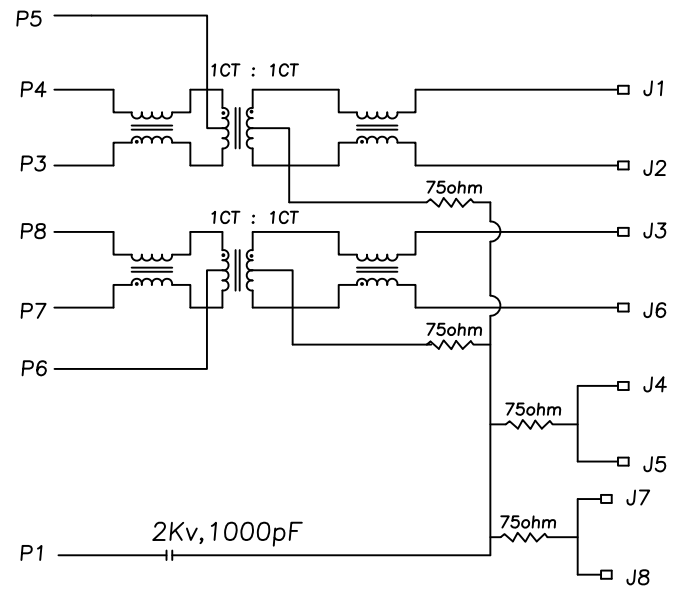
- 1.Operating:750 Cycles Min.

Environmental:

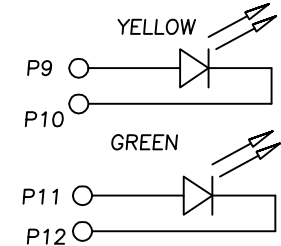
- 1.Storage:-40°C To +85°C.
- 2.Operation:-20°C To +75°C.

Mates With Modular Plug Conforming To FCC Part 68, Subpart F.

PC BOARD CONNECTIONS



RJ45 CONNECTIONS



MJF13T56UL-KF06B3GY24-0808

RoHS Compliant

MORE THAN ALL
CONNECTORS
ASSEMBLIES

PART NO. MJF13T56UL-KF06B3GY24-0808

DWG NO. MJF13T56UL-KF06B3GY24-0808

FILE NO.

CHECKED BY CY

DRAWING BY

TOLERANCES ARE

.X ±
.XX ±
.XXX ±
AWG

DESCRIPTION: 10/100Base-T JACK W/LED

焜倫股份有限公司

UNIT / mm

SCALE 1:1

PROJECTION

AREA	REVISIONS	HK	DATE
------	-----------	----	------