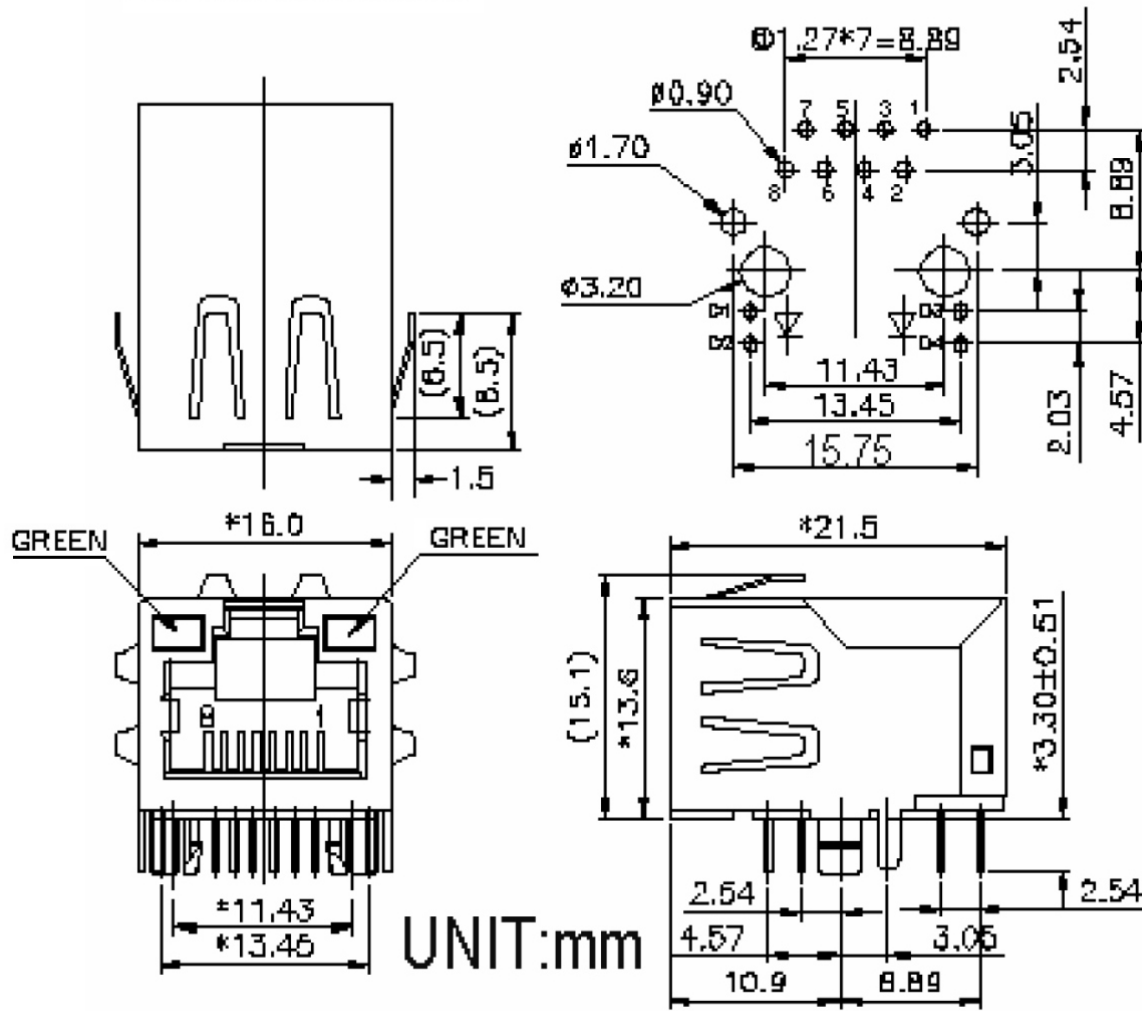


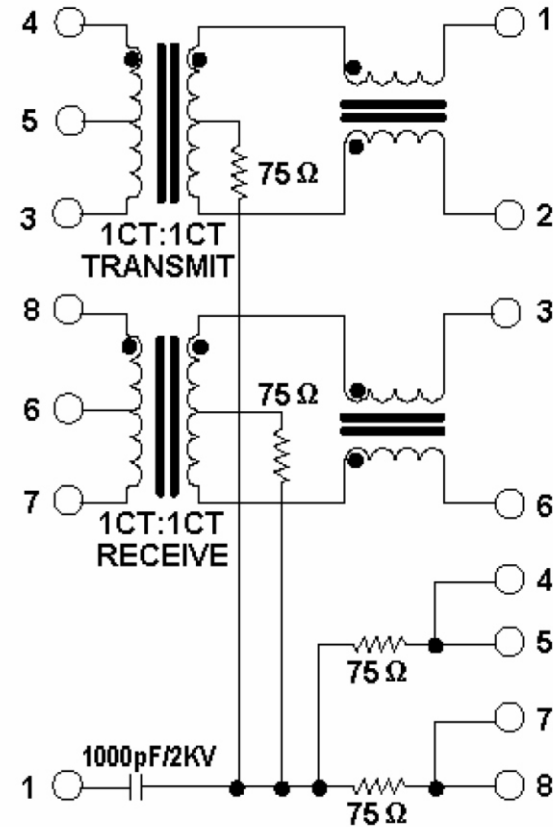
**EXTERNAL DIMENSIONS :**



**UNIT:mm**

RoHS Compliant

**SCHEMATIC DRAWING :**



CABLE SIDE

**ELECTRICAL CHARACTERISTIC :**

- Turn Ratio(±2%): TX&RX= 1CT:1CT
- INSERTION LOSS (1~100MHz): -1.0dB MAX.
- Return Loss (dB MIN @100Ω -18dB(1-30MHz),-16dB(30-60MHz),-12dB(60-80MHz)
- Cross talk (dB TYP):-35dB (1-100MHz)
- CMR(dB MIN):-30dB (1-100MHz)
- HI-POT TEST: 1500Vrms/60Sec.
- OCL(100KHZ/0.1V@8mA): 350uH MIN

**MORETHANALL**  
CONNECTORS  
ASSEMBLIES

PART NO. MJF13T56UL-KF06B3GG24-0808

DWG NO. MJF13T56UL-KF06B3GG24-0808

FILE NO.

CHECKED BY CY

DRAWING BY

TOLERANCES ARE

.X ± 0.2  
.XX ±  
.XXX ±  
AWG

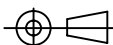
DESCRIP TION:

焯倫股份有限公司

UNIT / mm

SCALE 1:1

PROJECTION



AREA

REVISIONS

HK

DATE