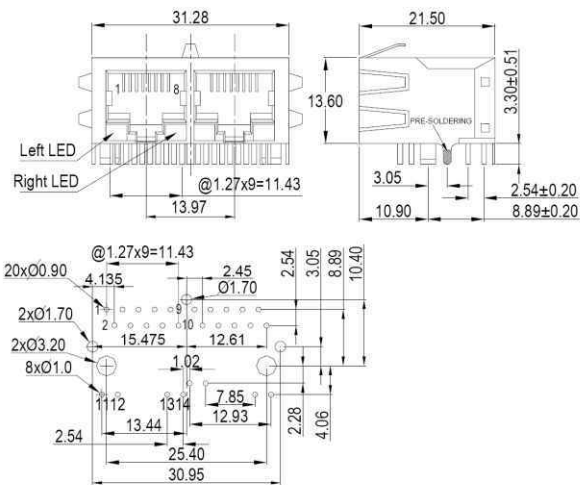
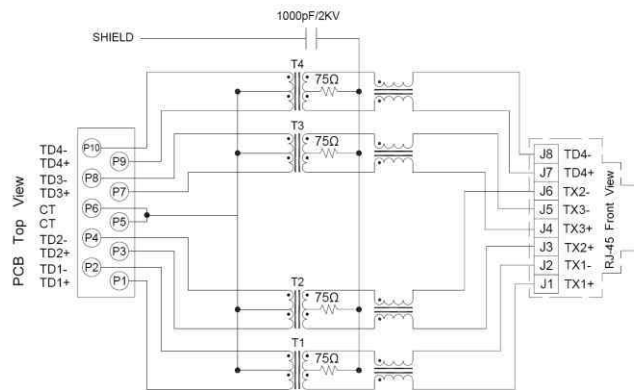


一、Mechanicals Dimensions



Unit: mm Unless otherwise specified, all tolerances are ±0.25

二、Schematics



Standard LED	Wavelength	Forward*V(MAX)	TYP
Green	565nm	2.5v	2.2v
Yellow	585nm	2.5v	2.1v

With a forward current of 20mA

三、ELECTRICAL SPECIFICATIONS@25°C:

1. Turn Ratio(±3%): ICT:ICT
2. OCL(100KHz/0.1V@8mA):350uH MIN.
3. Insertion Loss(dB MAX):-0.8dB(0.3-100MHz),-1.2dB(100-120MHz)
4. Return Loss(dB MIN): -18dB(0.5-40MHz),-12+20log(f/80MHz)dB(40-100MHz)
5. Cross talk(dB TYP): -33+20log(f/100MHz)dB(0.1-100MHz)
6. CMR(dB MIN):-30dB(0.3-100MHz)
7. CDMR(dB TYP):-35dB(0.3-100MHz)
8. DCR(J1-J2,J3-J6,J4-J5,J7-J8):1.2Ω MAX
9. HI-POT(Pri to Sec) : 1500Vrms/0.5mA/60Sec or 1650Vrms/0.5mA/2Sec
10. Operating Temperature:-20°C TO +85°C
11. RoHS compliance:YES

MJF13T56LA2-KF06B3YG-0808

RoHS Compliant



PART NO. MJF13T56LA2-KF06B3YG-0808

DWG NO. MJF13T56LA2-KF06B3YG-0808

FILE NO.

CHECKED BY CY

DRAWING BY

TOLERANCES ARE

.X ± 0.2
.XX ±
.XXX ±
AWG

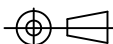
DESCRIP TION:

焯倫股份有限公司

UNIT / mm

SCALE 1:1

PROJECTION



AREA

REVISIONS

HK

DATE

四、Mechanicals

Housing Material:

MATERIAL:NYLON GF (Fr50) UL94V-0 STANDARD COLOR:BLACK

Insert Material:

MATERIAL:Phos-Bronze C5210 EH---0.35mm Thickness

Insert -PBT GF UL94V-0

1.PLATING(1) NICKEL

2.PLATING(2) 100%Sn

3.PLATING(3) GOLD (3u " ~50u ")

Plate Material:

PBT GF UL 94V-0

Contact pin Material:

MATERIAL: Phos-Bronze C5191---0.35mm Thickness

1.PLATING(1) NICKEL

2.PLATING(2) 100%Sn

Shielding Material:

BRASS C2680 PLATING NICKEL

Operating Life:750 Cycles MIN.

五、Environmental

1.Storage Temp:-40°C TO +85°C.

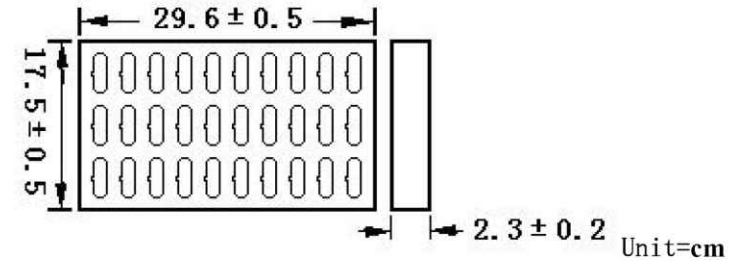
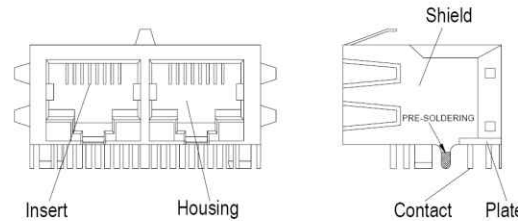
2.Operating Temp:-20°C TO +85°C

3. MATES WITH MODULAR PLUG CONFORMING TO FCC PART 68,SUBPARTF.

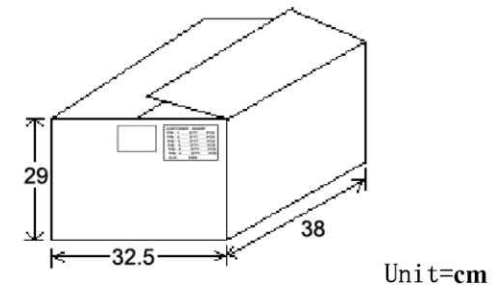
六、Packaging

1. packaging unit : 30 PCS/tray

2. packaging material : PET



3. outer carton unit: 600 pcs/ 20Trays/box



煜倫股份有限公司

PART NO. MJF13T56LA2-KF06B3YG-0808		CHECKED BY CY	TOLERANCES ARE .X ± 0.2 .XX ± .XXX ± AWG	DESCRIP TION:			
DWG NO. MJF13T56LA2-KF06B3YG-0808							
FILE NO.		DRAWING BY	PROJECTION	AREA	REVISIONS	HK	DATE
UNIT / mm	SCALE 1:1						