

MATERIALS:

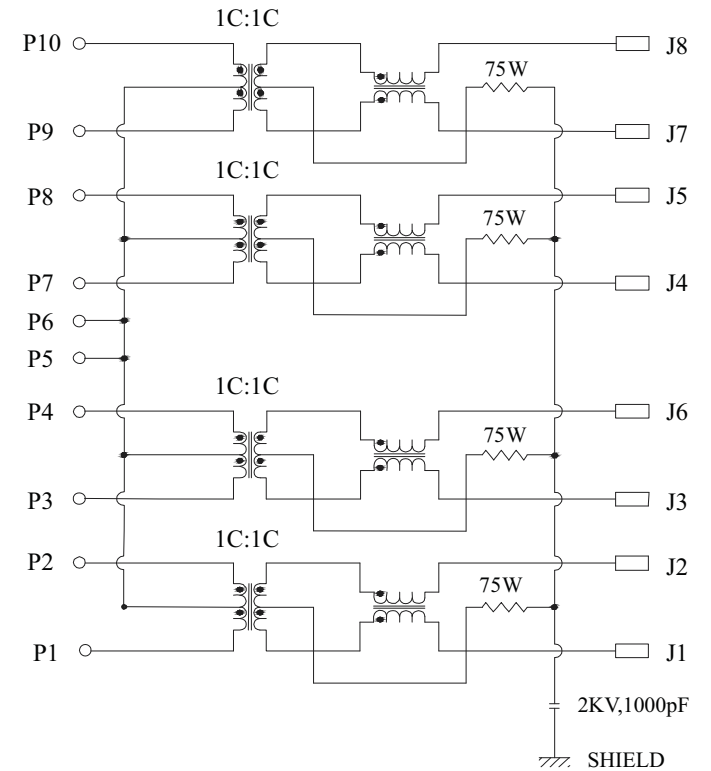
PLASTIC HOUSING: HIGH TEMP THERMOPLASTIC
FLAMMABILITY RATING UL 94V-0.

CONTACTS: PHOSPHOR BRONZE

PLATING: GOLD PLATING OVER NICKEL IN CONTACT.

TIN PLATING OVER NICKEL IN SOLDER AREA.

SHIELD: BRASS PLATING NICKEL ALLOY.



Electrical:

- 1.Voltage Rating:125 Vac Rms.
- 2.Current Rating:1.5 Amp.
- 3.Contact Resistance:40 Milliohms Max.
- 4.Insulation Resistance:1000 Megohms Min @500 Vdc.
- 5.Dielectric Strength:1000 Vac Rms 60Hz, 1Min.

Mechanical:

- 1.Operating:750 Cycles Min.

Environmental:

- 1.Storage:-40°C To +85°C.
- 2.Operation:-20°C To +75°C.

Mates With Modular Plug Conforming To FCC Part 68, Subpart F.

RoHS Compliant

TOLERANCES ARE

MORETHANALL
PCB CONNECTORS
Cable ASSEMBLIES

DRAWING BY CY

X. ± 0.50

CHECKED BY GENIUS

.X ± 0.38

UNIT / mm SCALE 1 : 1

.XX ± 0.25

DATE

.XXX ± 0.10

SIZE A4

ANG ± 3°

PPOJECTION

照片框

ORDER INFORMATION

MJF13T056L-KF06B3GY-0808-LF

SERIES
LEADFREE
8P8C
GREEN/YELLOW
REAR TAB 3.05mm
BLACK 06u" GOLD
FULL SPRING

DESCRIPTION:

煜倫股份有限公司

www.morethanall.com