

TRANSFORMER

ELECTRICAL CHARACTERISTICS

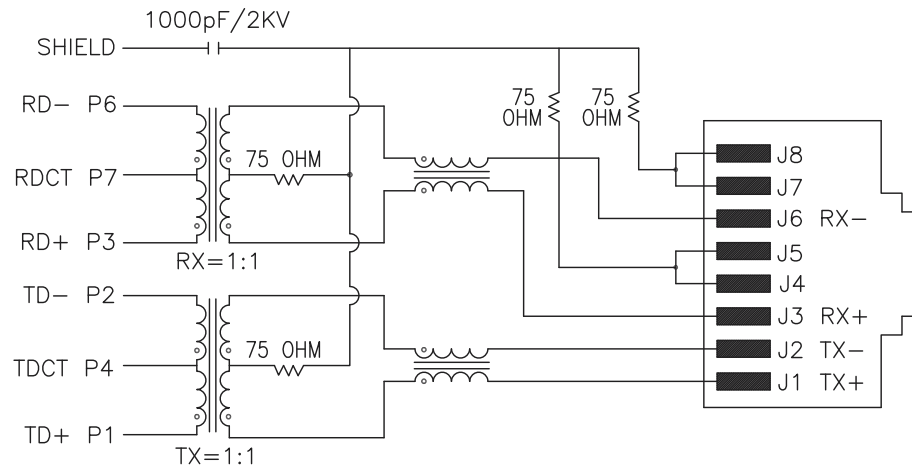
TEST NOTES: (25±5°C)

1. INDUCTANCE: 350uH MINIMUM OCL WITH 8mA BIAS CURRENT
2. INSERTION LOSS:
 - 1.0dB MAXIMUM AT 1MHz TO 100MHz
3. RETURN LOSS:
 - 18dB MINIMUM AT 1MHz TO 30MHz
 - 16dB MINIMUM AT 30MHz TO 60MHz
 - 12dB MINIMUM AT 60MHz TO 80MHz
4. CROSS TALK:
 - 40dB TYP AT 1MHz TO 30MHz
 - 35dB TYP AT 30MHz TO 60MHz
 - 30dB TYP AT 60MHz TO 80MHz
5. COMMON TO COMMON MODE REJECTION
 - 30dB TYP AT 1MHz TO 50MHz
 - 20dB TYP AT 50MHz TO 150MHz

RoHS Compliance

CONNECTOR SOLDER SIDE

CONTACT SIDE
RJ45



CONNECTOR SCHEMATIC



PART NO. MJF13T47UL-KF06B3GY-0808

DWG NO. MJF13T47UL-KF06B3GY-0808

CHECKED BY CY

TOLERANCES ARE

- X. ±
- .X ±
- .XX ±
- .XXX ±
- ANG

DESCRIPTION: TRANSFORMER SPECIFICATION

煜倫股份有限公司

FILE NO.

DRAWING BY

UNIT / mm

SCALE 1:1

PROJECTION

AREA

REVISIONS

DATE