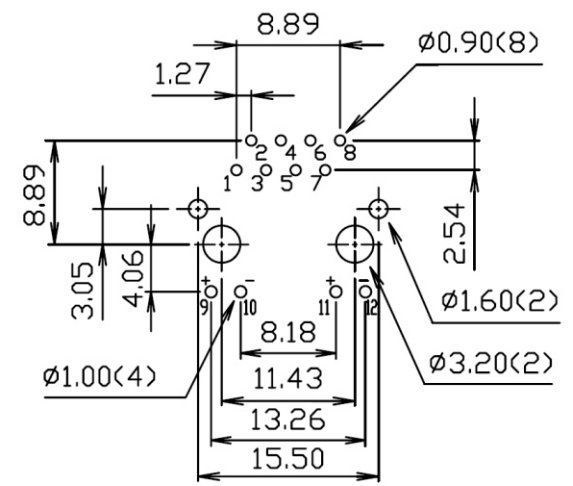
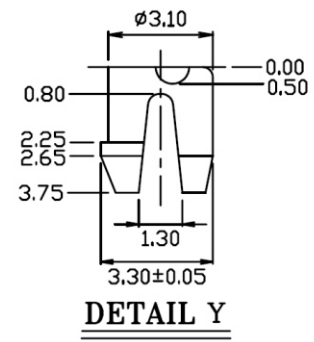
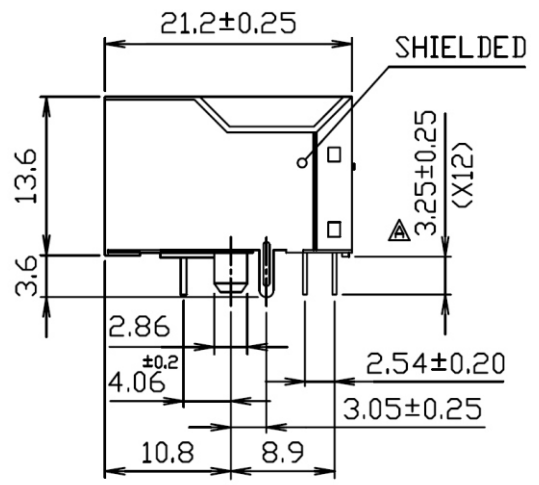
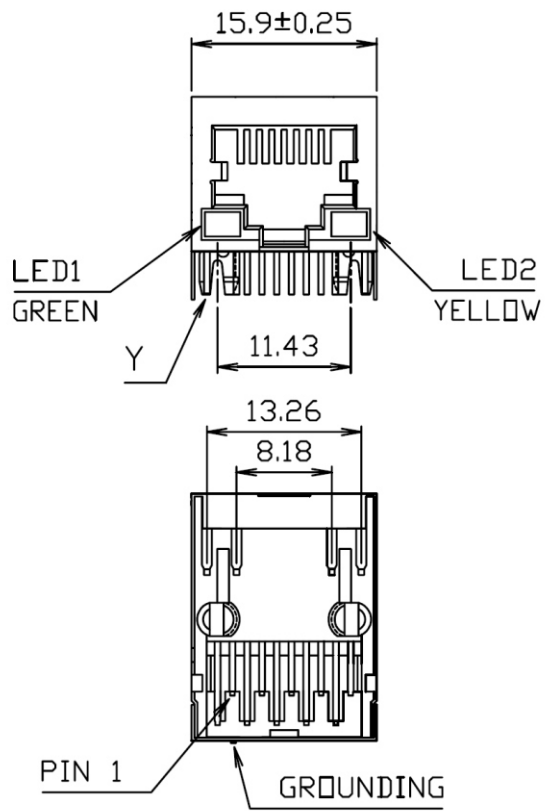


MATERIALS:  
 • HOUSING-PBT POLYESTER UL94V-0  
 MIXED GLASS FIBER.  
 STANDARD COLOR-BLACK.  
 • CONTACTS-0.35mm THICK PHOS-BRONZE PLATED  
 WITH HARD GOLD AND TIN/LEAD IN  
 SOLDER AREA.  
 • SHIELD-0.25mm THICK COPPER ALLOY,  
 PLATED WITH NICKEL.  
 CAVITY CONFIRMS TO FCC RULES AND REGULATIONS  
 PART 68,SUBPART F.



PC Board Layout  
 Ref.

RoHS Compliant



PART NO. MJF13T47L-KX06B3GY-0808

DWG NO. MJF13T47L-KX06B3GY-0808

CHECKED BY CY

TOLERANCES ARE

DESCRIP TION:

FILE NO.

DRAWING BY

.X ± 0.2  
 .XX ± 0.1  
 .XXX ±  
 AWG

煜倫股份有限公司

UNIT / mm

SCALE 1:1

PROJECTION

AREA	REVISIONS	HK	DATE
------	-----------	----	------

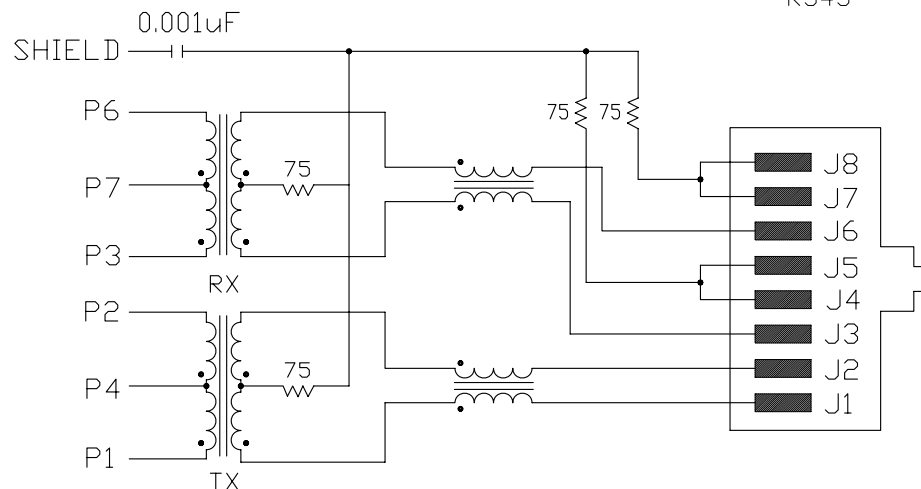
# TRANSFORMER TYPE A

Specification :

Item	Parameter	Condition	Min.	Typ.	Max.	Unit	REMARK
1	Insertion loss	@1-100 MHz			-1.0	dB	
2	Return loss	@1-30 MHz	-16			dB	NOTE 1
		@30-60 MHz				dB	
		@60-80 MHz	-10			dB	
3	QCL	100 KHz	350			μH	
4	Crosstalk	@1-60 MHz	-40			dB	
		@60-100 MHz	-38			dB	
5	CMRR(TX/RX)	@1-60 MHz	-45/40			dB	
		@60-100 MHz	-35			dB	
6	Hipot	Vrms	1.5			kV	
7	Turns Ratio (Chip : Cable)	TX: 1 : 1 RX: 1 : 1				CT	
8	Direct Current resistance					Ω	

CONNECTOR SOLDER SIDE

CONTACT SIDE  
RJ45



CONNECTOR SCHEMATIC

\*NOTE 1: Greater than  $(16-20 \text{ Log } (f/30\text{MHz}))$  dB.



PART NO. MJF13T47L-KX06B3GY-0808

DWG NO. MJF13T47L-KX06B3GY-0808

CHECKED BY CY

TOLERANCES ARE

DESCRIPTION:

TRANSFORMER TYPE A  
SPECIFICATION

煜倫股份有限公司

FILE NO.

DRAWING BY

.X ± 0.2  
.XX ± 0.1  
.XXX ±  
AWG

AREA

REVISIONS

HK

DATE

UNIT / mm

SCALE 1:1

PROJECTION

