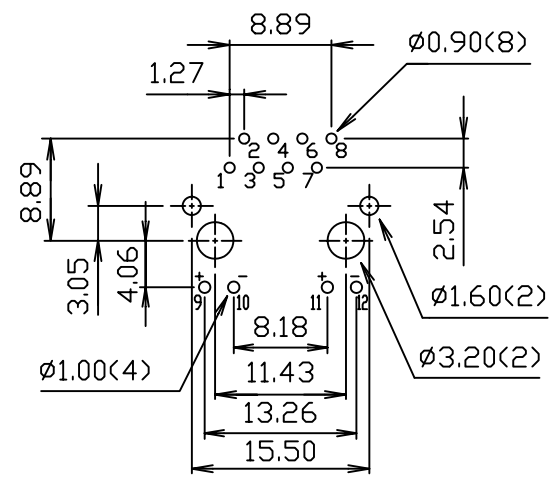
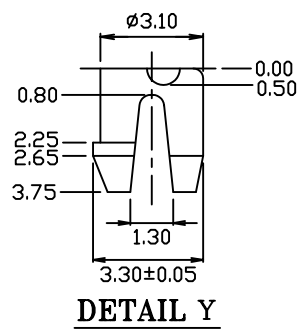
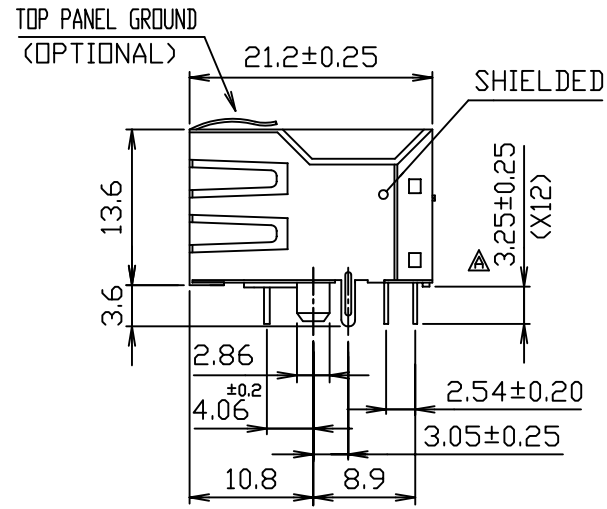
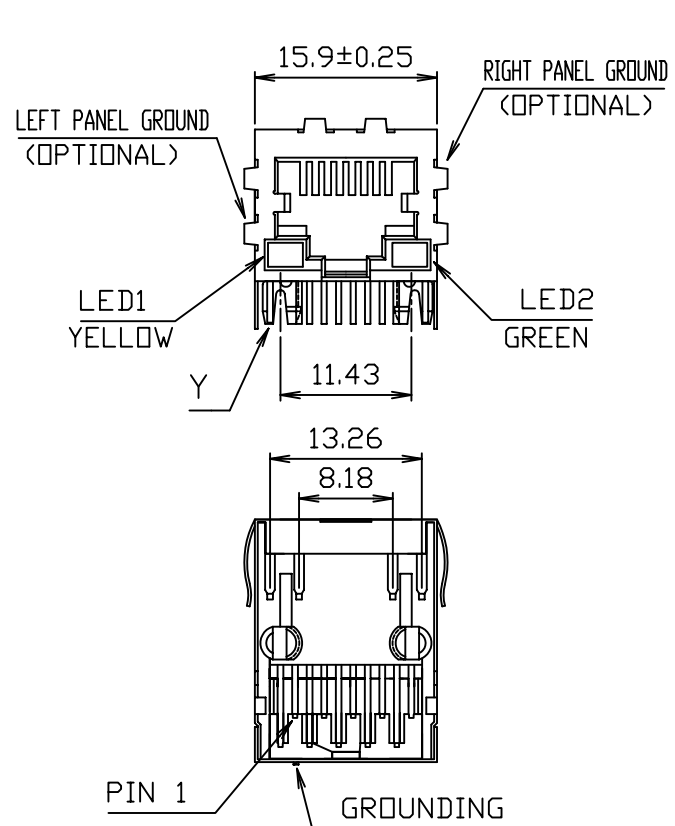


MATERIALS:

- HOUSING-PBT POLYESTER UL94V-0 MIXED GLASS FIBER, STANDARD COLOR-BLACK.
- CONTACTS-0.35mm THICK PHOS-BRONZE PLATED WITH HARD GOLD AND TIN/LEAD IN SOLDER AREA.
- SHIELD-0.25mm THICK COPPER ALLOY, PLATED WITH NICKEL.

CAVITY CONFIRMS TO FCC RULES AND REGULATIONS PART 68,SUBPART F.



PC Board Layout Ref.

RoHS Compliant



PART NO. MJF13T47L-KF06B3YG-0808

DWG NO. MJF13T47L-KF06B3YG-0808

CHECKED BY CY

TOLERANCES ARE

FILE NO.

DRAWING BY

.X ± 0.2
.XX ± 0.1
.XXX ±
AWG

DESCRIPTION: SINGLE PORT, RJ45, SHIELDED, WITH LED WITH TRANSFORMER, SIDE ENTRY PCB JACK

煜倫股份有限公司

UNIT / mm

SCALE 1:1

PROJECTION

AREA	REVISIONS	HK	DATE
------	-----------	----	------

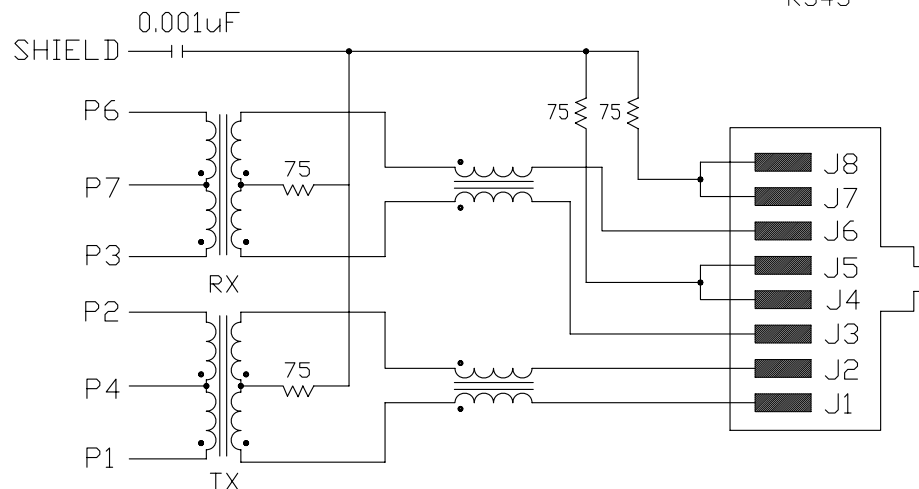
TRANSFORMER TYPE A

Specification :

Item	Parameter	Condition	Min.	Typ.	Max.	Unit	REMARK
1	Insertion loss	@1-100 MHz			-1.0	dB	
2	Return loss	@1-30 MHz	-16			dB	NOTE 1
		@30-60 MHz				dB	
		@60-80 MHz	-10			dB	
3	QCL	100 KHz	350			μH	
4	Crosstalk	@1-60 MHz	-40			dB	
		@60-100 MHz	-38			dB	
5	CMRR(TX/RX)	@1-60 MHz	-45/40			dB	
		@60-100 MHz	-35			dB	
6	Hipot	V _{rms}	1.5			kV	
7	Turns Ratio (Chip : Cable)	TX: 1 : 1 RX: 1 : 1				CT	
8	Direct Current resistance					Ω	

CONNECTOR SOLDER SIDE

CONTACT SIDE
RJ45



CONNECTOR SCHEMATIC

*NOTE 1: Greater than $(16-20 \text{ Log } (f/30\text{MHz}))$ dB.



PART NO. MJF13T47L-KF06B3YG-0808

DWG NO. MJF13T47L-KF06B3YG-0808

CHECKED BY CY

TOLERANCES ARE

DESCRIPTION:

TRANSFORMER TYPE A
SPECIFICATION

煜倫股份有限公司

FILE NO.

DRAWING BY

.X ± 0.2
.XX ± 0.1
.XXX ±
AWG

AREA

REVISIONS

HK

DATE

UNIT / mm

SCALE 1:1

PROJECTION

