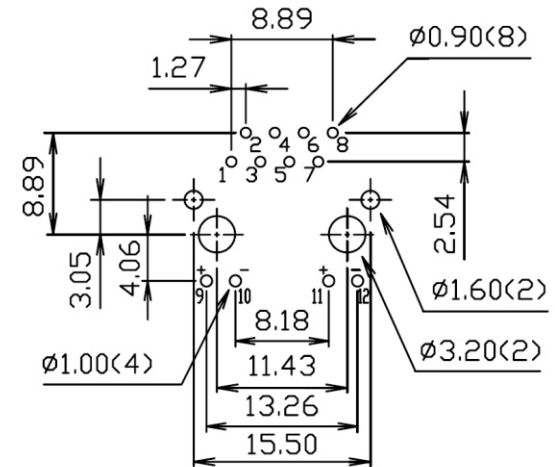


DETAIL Y

MATERIALS:

- HOUSING-PBT POLYESTER UL94V-0 MIXED GLASS FIBER. STANDARD COLOR-BLACK.
- CONTACTS-0.35mm THICK PHOS-BRONZE PLATED WITH HARD GOLD AND TIN/LEAD IN SOLDER AREA.
- SHIELD-0.25mm THICK COPPER ALLOY, PLATED WITH NICKEL.

CAVITY CONFIRMS TO FCC RULES AND REGULATIONS PART 68,SUBPART F.



PC Board Layout Ref.

RoHS Compliant



PART NO. MJF13T47L-KF06B3GY-0808

DWG NO. MJF13T47L-KF06B3GY-0808

CHECKED BY CY

TOLERANCES ARE

DESCRIP TION:

FILE NO.

DRAWING BY

.X ± 0.2

.XX ± 0.1

.XXX ± AWG

AREA

REVISIONS

HK

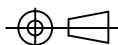
DATE

煜倫股份有限公司

UNIT / mm

SCALE 1:1

PROJECTION



TRANSFORMER TYPE A

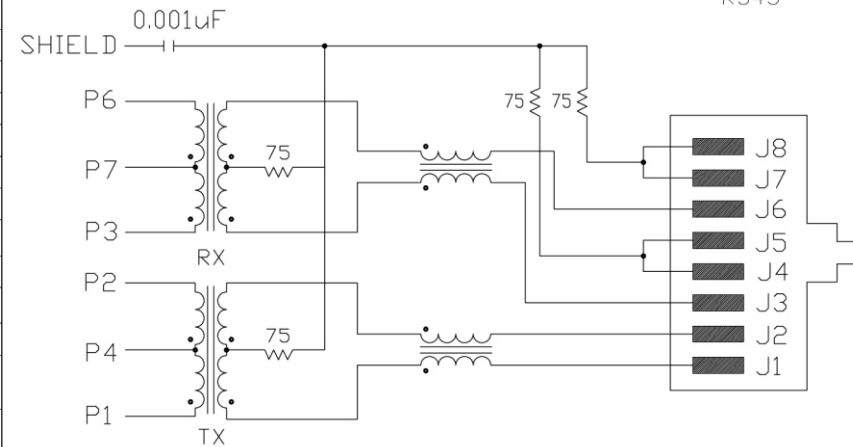
Specification :

| Item | Parameter | Condition | Min. | Typ. | Max. | Unit | REMARK |
|------|-------------------------------|------------------------|--------|------|------|------|--------|
| 1 | Insertion loss | @1-100 MHz | | | -1.0 | dB | |
| 2 | Return loss | @1-30 MHz | -16 | | | dB | NOTE 1 |
| | | @30-60 MHz | | | | dB | |
| | | @60-80 MHz | -10 | | | dB | |
| 3 | OCL | 100 KHz | 350 | | | μH | |
| 4 | Crosstalk | @1-60 MHz | -40 | | | dB | |
| | | @60-100 MHz | -38 | | | dB | |
| 5 | CMRR(TX/RX) | @1-60 MHz | -45/40 | | | dB | |
| | | @60-100 MHz | -35 | | | dB | |
| 6 | Hipot | Vrms | 1.5 | | | kV | |
| 7 | Turns Ratio (Chip : Cable) | TX: 1 : 1 RX: 1 : 1 | | | | CT | |
| 8 | Direct Current resistance | | | | | Ω | |

*NOTE 1: Greater than $(16-20 \text{ Log } (f/30\text{MHz}))$ dB.

CONNECTOR SOLDER SIDE

CONTACT SIDE
RJ45



CONNECTOR SCHEMATIC

MORETHANALL
CONNECTORS
ASSEMBLIES

PART NO. MJF13T47L-KF06B3GY-0808

DWG NO. MJF13T47L-KF06B3GY-0808

CHECKED BY CY

TOLERANCES ARE

DESCRIPTION:

煜倫股份有限公司

FILE NO.

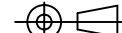
DRAWING BY

.X ± 0.2
.XX ± 0.1
.XXX ±
AWG

UNIT / mm

SCALE 1:1

PROJECTION



AREA

REVISIONS

HK

DATE