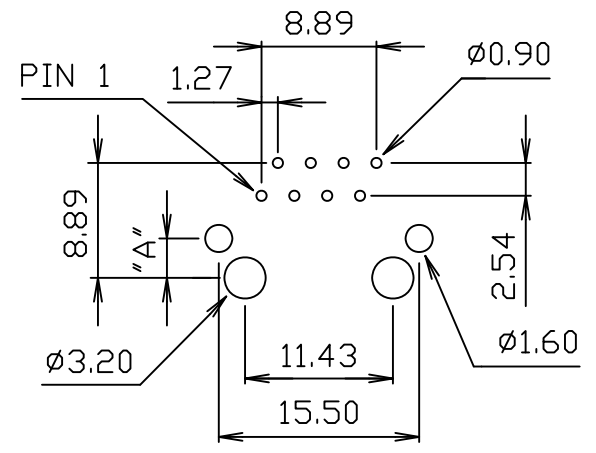


MATERIAL: • HOUSING-PBT POLYESTER UL94V-0  
 MIXED GLASS FIBER.  
 STANDARD COLOR-BLACK  
 • CONTACTS-0.35mm THICK PHOS-BRONZE  
 WITH HARD GOLD AND TIN/LEAD  
 PLATED IN SOLDER AREA.  
 • SHIELD-0.25mm THICK COPPER ALLOY,  
 PLATED WITH NICKEL.  
 CAVITY CONFIRMS TO FCC RULES AND REGULATIONS  
 PART 68,SUBPART F.

MJF13T47-KX06B3-0808-LF  
 LEADFREE  
 RoHS Compliant



PC Board Layout



PART NO. MJF13T47-KX06B3-0808

DWG NO. MJF13T47-KX06B3-0808

FILE NO.

UNIT / mm

SCALE 1:1

CHECKED BY CY

DRAWING BY

PROJECTION

TOLERANCES ARE

.X ± 0.2  
 .XX ± 0.1  
 .XXX ±  
 AWG

DESCRIPTION:

8POSITION SHIELDED FLAT PIN  
 WITH TRANSFORMER, SIDE ENTRY PCB JACK

AREA

REVISIONS

HK

DATE

煜倫股份有限公司

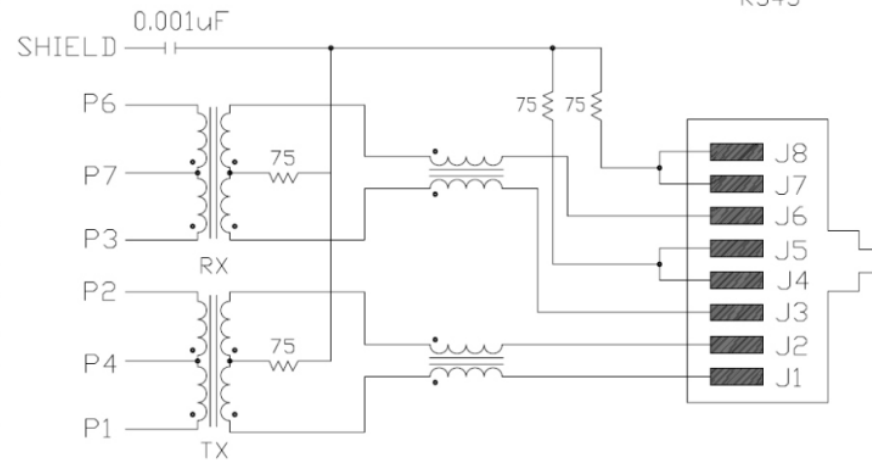
Specification :

Item	Parameter	Condition	Min.	Typ.	Max.	Unit	REMARK
1	Insertion loss	@1-100 MHz			-1.0	dB	
2	Return loss	@1-30 MHz	-16			dB	NOTE 1
		@30-60 MHz				dB	
		@60-80 MHz	-10			dB	
3	QCL	100 KHz	350			μH	
4	Crosstalk	@1-60 MHz	-40			dB	
		@60-100 MHz	-38			dB	
5	CMRR(TX/RX)	@1-60 MHz	-45/40			dB	
		@60-100 MHz	-35			dB	
6	Hipot	Vrms	1.5			kV	
7	Turns Ratio (Chip : Cable)	TX: 1 : 1 RX: 1 : 1				CT	
8	Direct Current resistance					Ω	

\*NOTE 1: Greater than (16-20 Log (f/30MHZ)) dB.

CONNECTOR SOLDER SIDE

CONTACT SIDE  
RJ45



CONNECTOR SCHEMATIC



PART NO. MJF13T47-KX06B3-0808

DWG NO. MJF13T47-KX06B3-0808

FILE NO.

UNIT / mm

SCALE 1:1

CHECKED BY CY

DRAWING BY

PROJECTION

TOLERANCES ARE

.X ± 0.2  
.XX ± 0.1  
.XXX ±  
AWG

DESCRIPTION:

AREA

REVISIONS

HK

DATE

煜倫股份有限公司