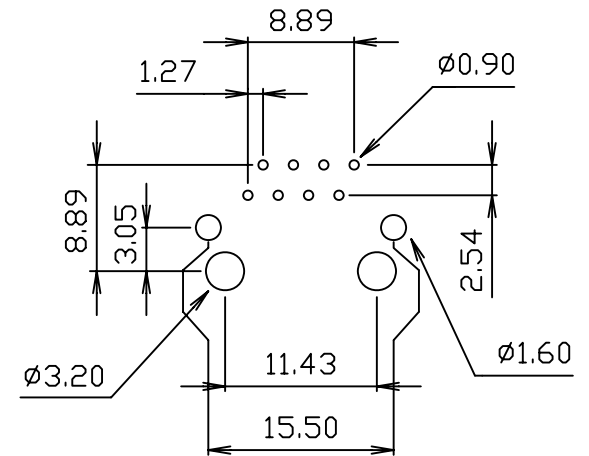
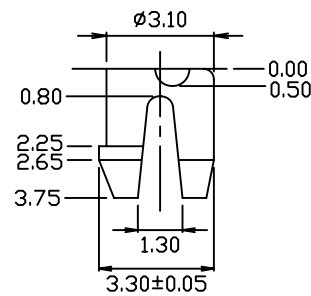
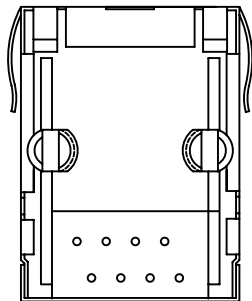


MATERIAL: •HOUSING-PBT POLYESTER UL94V-0  
MIXED GLASS FIBER,  
STANDARD ODOR-BLACK  
•CONTACTS-0.45mm DIA. PHOS-BRONZE  
PLATED WITH HARD GOLD.  
•SHIELD-0.25mm THICK COPPER ALLOY,  
PLATED WITH NICKEL.  
CAVITY CONFIRMS TO FCC RULES AND REGULATIONS  
PART 68,SUBPART F.



PC Board Layout



**DETAIL Y**

MJF13T47-KF06B3-0808-LF  
LEADFREE

RoHS Compliant



PART NO. MJF13T47-KF06B3-0808

DWG NO. MJF13T47-KF06B3-0808

FILE NO.

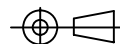
UNIT / mm

SCALE 1:1

CHECKED BY CY

DRAWING BY

PROJECTION



TOLERANCES ARE

.X ± 0.25  
.XX ± 0.13  
.XXX ± 0.05  
AWG

DESCRIPTION:

8POSITION SHIELDED S-P.G.  
ROUND PIN SIDE ENTRY PCB JACK

AREA

REVISIONS

HK

DATE

焜倫股份有限公司

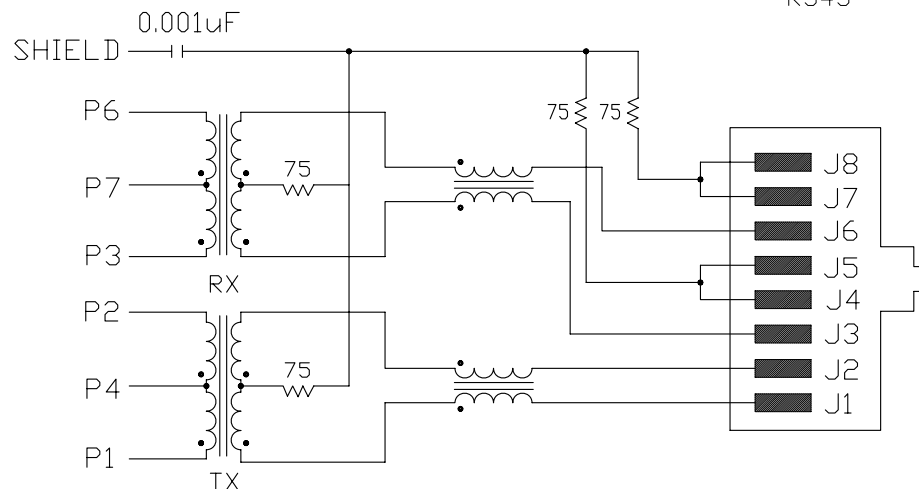
# TRANSFORMER TYPE A

Specification :

Item	Parameter	Condition	Min.	Typ.	Max.	Unit	REMARK
1	Insertion loss	@1-100 MHz			-1.0	dB	
2	Return loss	@1-30 MHz	-16			dB	NOTE 1
		@30-60 MHz				dB	
		@60-80 MHz	-10			dB	
3	QCL	100 KHz	350			μH	
4	Crosstalk	@1-60 MHz	-40			dB	
		@60-100 MHz	-38			dB	
5	CMRR(TX/RX)	@1-60 MHz	-45/40			dB	
		@60-100 MHz	-35			dB	
6	Hipot	Vrms	1.5			kV	
7	Turns Ratio (Chip : Cable)	TX: 1 : 1 RX: 1 : 1				CT	
8	Direct Current resistance					Ω	

CONNECTOR SOLDER SIDE

CONTACT SIDE  
RJ45



CONNECTOR SCHEMATIC

\*NOTE 1: Greater than  $(16-20 \text{ Log } (f/30\text{MHz}))$  dB.



PART NO. MJF13T47-KF06B3-0808

DWG NO. MJF13T47-KF06B3-0808

CHECKED BY CY

TOLERANCES ARE

.X ± 0.2  
.XX ± 0.1  
.XXX ±  
AWG

DESCRIPTION:

TRANSFORMER TYPE A  
SPECIFICATION

煜倫股份有限公司

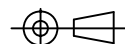
FILE NO.

DRAWING BY

UNIT / mm

SCALE 1:1

PROJECTION



AREA

REVISIONS

HK

DATE