

MATERIALS:
 • HOUSING-PBT POLYESTER UL94V-0 MIXED GLASS FIBER. STANDARD COLOR-BLACK.
 • CONTACTS-0.35mm THICK PHOS-BRONZE PLATED WITH HARD GOLD AND GOLD FLASH IN SOLDER AREA.
 • SHIELD-0.25mm THICK COPPER ALLOY, PLATED WITH NICKEL.
 CAVITY CONFIRMS TO FCC RULES AND REGULATIONS PART 68,SUBPART F.

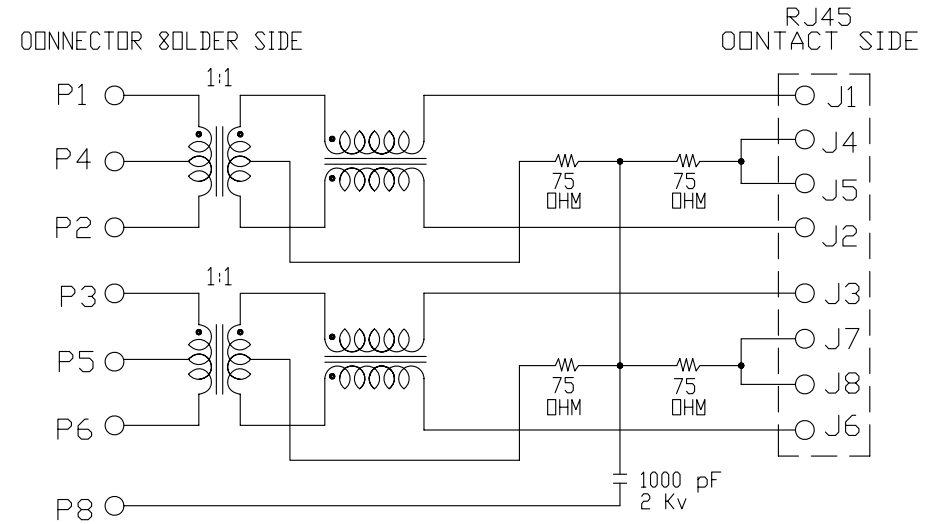
MJF13T45LA4-KF06B3xx-0808
 LED 1 LED 2
 GY:GREEN/YELLOW
 RoHS Compliant

	PART NO. MJF13T45LA4-KF06B3xx-0808		CHECKED BY CY	TOLERANCES ARE .X ± 0.2 .XX ± .XXX ± AWG	DESCRIPTION: 4PORTS, RJ45, SHIELDED, FLAT PIN WITH TRANSFORMER, SIDE ENTRY PCB JACK		
	DWG NO. MJF13T45LA4-KF06B3xx-0808					DRAWING BY	
	FILE NO.		PROJECTION	AREA	REVISIONS	HK	DATE
	UNIT / mm	SCALE 1:1					

TRANSFORMER TYPE □

Specification :

Item	Parameter	Condition	Min.	Typ.	Max.	Unit	REMARK
1	Insertion loss	1-100 MHz			-1	dB	
2	Return loss	1-30 MHz	-20			dB	
		30-60 MHz	-15			dB	
		60-80 MHz	-11			dB	
3	Primary Inductance @100KHz, 0.1Vrms, 8mA DC BIAS	<1-2>, <7-8>	350			μH	
4	Crosstalk	1-100 MHz	-30			dB	
5	Hipot	Vrms	1.5			kV	



CONNECTOR SCHEMATIC

MORETHANALL
CONNECTORS
ASSEMBLIES

PART NO. MJF13T45LA4-KF06B3xx-0808

DWG NO. MJF13T45LA4-KF06B3xx-0808

CHECKED BY CY

TOLERANCES ARE

DESCRIPTION: TRANSFORMER TYPE □
SPECIFICATION

FILE NO.

DRAWING BY

.X ± 0.2
.XX ±
.XXX ±
AWG

AREA

REVISIONS

HK

DATE

焯倫股份有限公司

UNIT / mm

SCALE 1:1

PROJECTION

