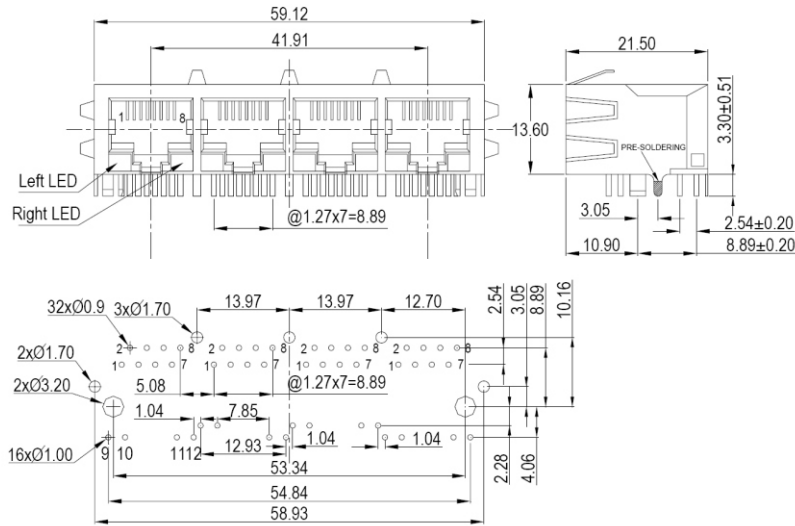
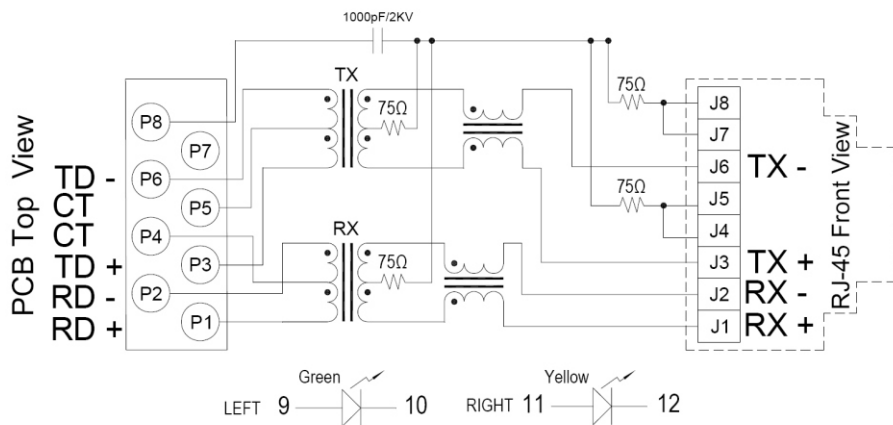


## 一、Mechanicals Dimensions



UNIT: mm Unless otherwise specified, all tolerances are  $\pm 0.25$

## 二、Schematics



## 三、ELECTRICAL SPECIFICATIONS@25°C:

1. Turns Ratio( $\pm 5\%$ ): 1CT:1CT
2. Inductance (100KHz/0.1V@8mA): 350uH MIN
3. Insertion Loss (dB TYP): -1.0dB(1-100MHz)
4. Return Loss(dB TYP): -20dB(1-10MHz);-16dB(30MHz);-12dB(60-80MHz)
5. Crosstalk (dB TYP): -40dB(1-10MHz);-35dB(30-60MHz);-30dB(60-100MHz)
6. CMR(dB TYP): -30dB(1-50MHz); -20dB(50-130MHz)
7. HI-POT(Pri to Sec): 1500Vrms/0.5mA/60Sec or 1650Vrms/0.5mA/2Sec
8. Operating Temperature:-40°C TO +85°C
9. RoHS compliance: YES

RoHS Compliant

**MORETHANALL**  
CONNECTORS  
ASSEMBLIES

PART NO. MJF13T45LA4-KF06B3GY-0808

DWG NO. MJF13T45LA4-KF06B3GY-0808

CHECKED BY CY

TOLERANCES ARE

DESCRIP TION:

FILE NO.

DRAWING BY

.X  $\pm 0.2$   
.XX  $\pm$   
.XXX  $\pm$   
AWG

AREA

REVISIONS

HK

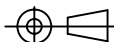
DATE

煜倫股份有限公司

UNIT / mm

SCALE 1:1

PROJECTION



## 四、Mechanicals

### Housing Material:

MATERIAL:NYLON GF (Fr50) UL94V-0 STANDARD COLOR:BLACK

### Insert Material:

MATERIAL:Phos-Bronze C5210 EH---0.35mm Thickness

Insert -PBT GF UL94V-0

1.PLATING(1) NICKEL

2.PLATING(2) 100%Sn

3.PLATING(3) GOLD (3u " ~50u " )

### Plate Material:

PBT GF UL 94V-0

### Contact pin Material:

MATERIAL: Phos-Bronze C5191 ---0.35mm Thickness

1.PLATING(1) NICKEL

2.PLATING(2) 100%Sn

### Shielding Material:

BRASS C2680 PLATING NICKEL

### Operating Life:750 Cycles MIN.

## 五、Environmental

1.Storage Temp:-40℃TO +85℃.

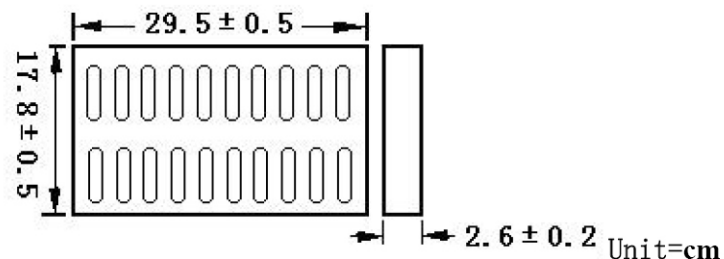
2.Operating Temp:-40℃TO +85℃.

3. MATES WITH MODULAR PLUG CONFORMING TO FCC PART 68,SUBPARTF.

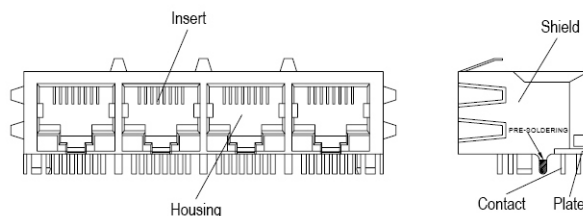
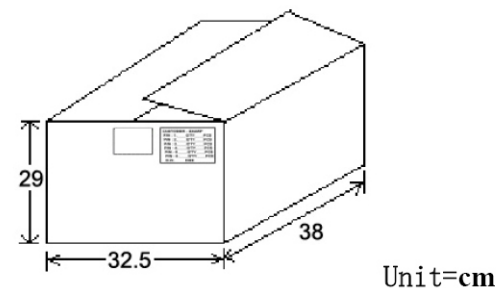
## 六、Packaging

1. packaging unit : 20 PCS/tray

2. packaging material : PET



3. outer carton unit: 400 pcs/ 20 Trays/box



**MORETHANALL**  
CONNECTORS  
ASSEMBLIES

PART NO.MJF13T45LA2-KF06B3GY-0808

DWG NO. MJF13T45LA2-KF06B3GY-0808

CHECKED BY CY

TOLERANCES ARE

DESCRIP TION:

FILE NO.

DRAWING BY

.X ± 0.2  
.XX ±  
.XXX ±  
AWG

AREA

REVISIONS

HK

DATE

煜倫股份有限公司

UNIT / mm

SCALE 1:1

PROJECTION

