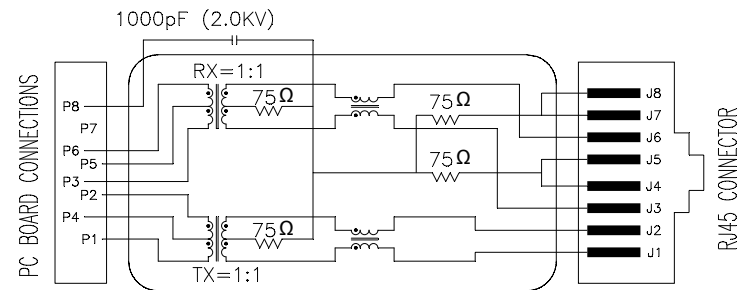
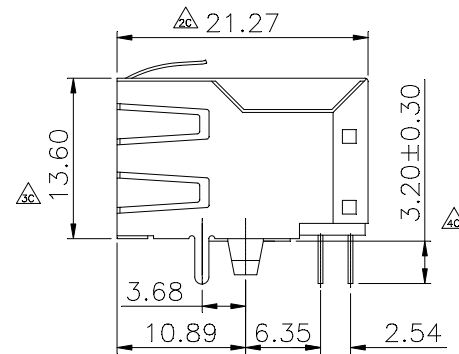
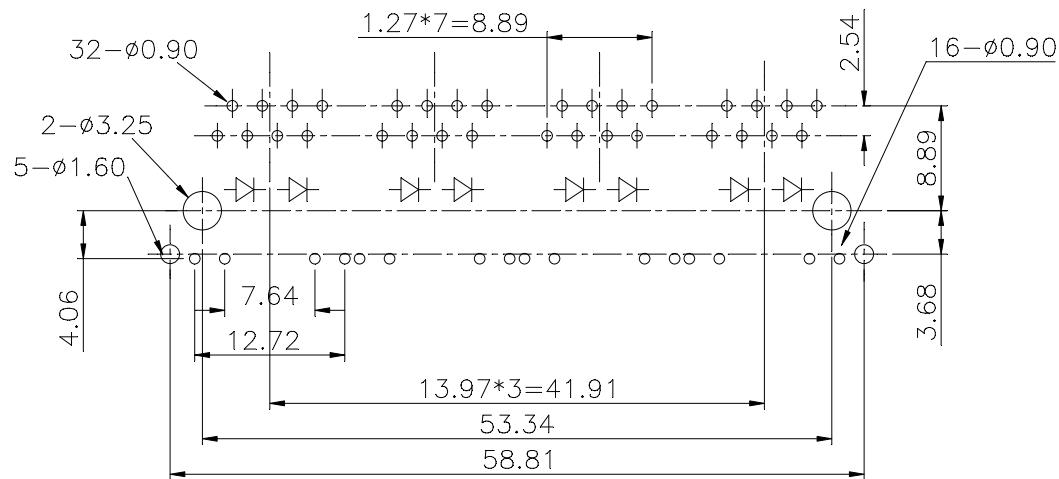


PCB LAYOUT/TOP VIEW



MATERIALS:

PLASTIC HOUSING: HIGH TEMP. THERMOPLASTIC
FLAMMABILITY RATING UL 94V-0.

CONTACTS: PHOSPHOR BRONZE

PLATING: GOLD PLATING OVER NICKEL IN CONTACT.
TIN PLATING OVER NICKEL IN SOLDER AREA.

SHIELD: BRASS PLATING NICKEL ALLOY.

* 1.凡標註 △ 記號者為品質管制尺寸。

RoHs Compliant

MORETHANALL
CONNECTORS
ASSEMBLIES

煜倫股份有限公司

PART NO. MJF13T45LA4-KF06A36YG-0808

DWG NO. MJF13T45LA4-KF06A36YG-0808

FILE NO.

UNIT / mm

SCALE 1:1

CHECKED BY CY

DRAWING BY

PROJECTION

TOLERANCES ARE

.X ± 0.2
.XX ± 0.1
.XXX ±
AWG

DESCRIPTION:

AREA

REVISIONS

HK

DATE