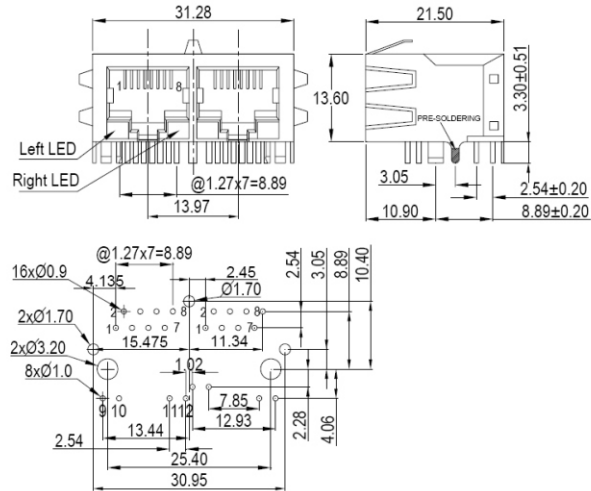
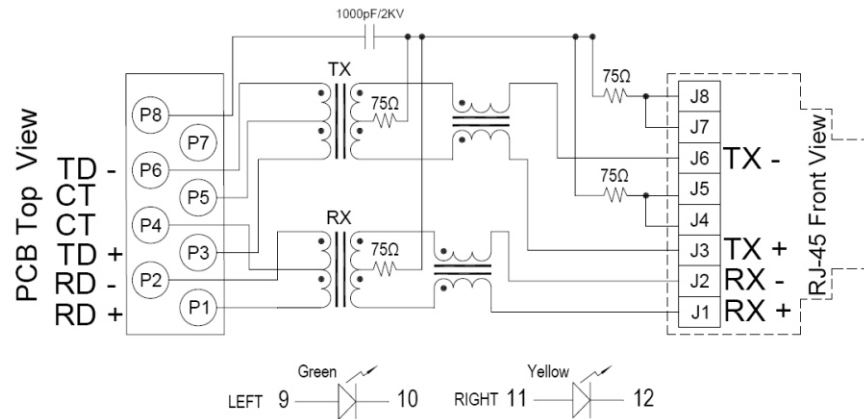


一、Mechanical Dimensions



Unit: mm Unless otherwise specified, all tolerances are ± 0.25

二、Schematics



三、ELECTRICAL SPECIFICATIONS@25°C:

1. Turn Ratio($\pm 5\%$):1CT:1CT
2. Inductance(100KHz/0.1V@8mA):350uH MIN
3. Insertion Loss (dB TYP):-1.2dB(0.3-100MHz)
4. Return Loss (dB TYP): -18dB(1-10MHz),-16dB(30MHz),-12dB(60-80MHz).
5. Cross talk(dB TYP): -40dB(1-10MHz),-35dB(30-60MHz),-30dB(60-100MHz).
6. CMR (dB TYP): -30dB(1-50MHz),-20dB(50-130MHz).
7. HI-POT(Pri to Sec):1500Vrms/0.5mA/60Sec or 1650Vrms/0.5mA/2Sec
8. Operating Temperature:-40°C TO +85°C
9. RoHS compliance:YES

RoHS Compliant

TOLERANCES ARE

MORETHANALL
PCB CONNECTORS
Cable ASSEMBLIES

DRAWING BY CY

CHECKED BY GENIUS

UNIT / mm SCALE 1 : 1

DATE

SIZE A4

X, \pm
.X \pm
.XX \pm
.XXX \pm
ANG \pm

PJECTION

照片框

ORDER INFORMATION

MJF13T45LA2-KF06B3xx-0808

SERIES

8P8C

GG:GREEN / GREEN
GY:GREEN / YELLOW

BLACK

REAR TAB 3.05mm

FULL SPRING

06u" GOLD

煜倫股份有限公司

www.morethanall.com

DESCRIPTION:

四、Mechanicals

Housing Material:

MATERIAL:NYLON GF (Fr50) UL94V-0 STANDARD COLOR:BLACK

Insert Material:

MATERIAL:Phos-Bronze C5210 EH---0.35mm Thickness

Insert -PBT GF UL94V-0

- 1.PLATING(1) NICKEL
- 2.PLATING(2) 100%Sn
- 3.PLATING(3) GOLD (3u " ~50u ")

Plate Material:

PBT GF UL 94V-0

Contact pin Material:

MATERIAL: Phos-Bronze C5191---0.35mm Thickness

- 1.PLATING(1) NICKEL
- 2.PLATING(2) 100%Sn

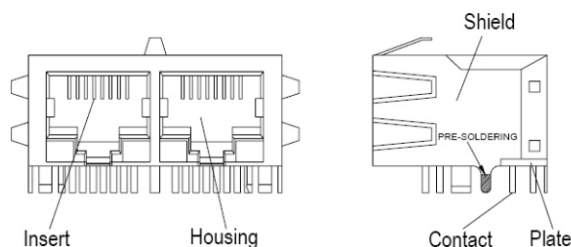
Shielding Material:

BRASS C2680 PLATING NICKEL

Operating Life:750 Cycles MIN.

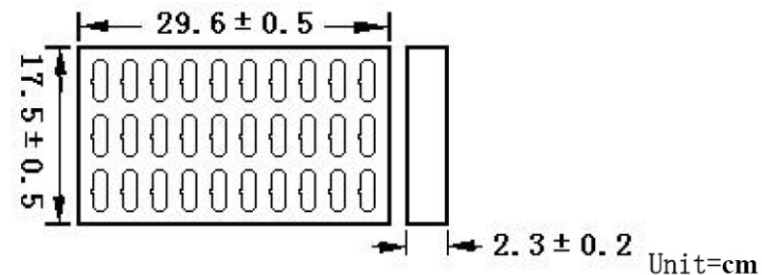
五、Environmental

- 1.Storage Temp:-40°C TO +85°C.
- 2.Operating Temp:-40°C TO +85°C
3. MATES WITH MODULAR PLUG CONFORMING TO FCC PART 68,SUBPARTF.

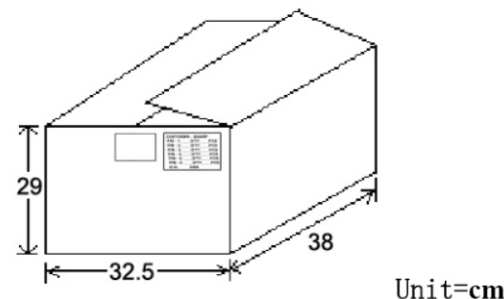


六、Packaging

1. packaging unit : 30 PCS/tray
2. packaging material : PET



3. outer carton unit: 600 pcs/ 20Trays/box



RoHS Compliant

TOLERANCES ARE

MORETHANALL
PCB CONNECTORS
Cable ASSEMBLIES

煜倫股份有限公司

www.morethanall.com

DRAWING BY CY

CHECKED BY GENIUS

UNIT / mm SCALE 1 : 1

DATE

SIZE A4

X, ±

.X ±

.XX ±

.XXX ±

ANG ±

PJECTION

照片框

ORDER INFORMATION

MJF13T45LA2-KF06B3xx-0808

SERIES

8P8C

GG:GREEN / GREEN

GY:GREEN / YELLOW

REAR TAB 3.05mm

BLACK

FULL SPRING 06u" GOLD

DESCRIPTION: