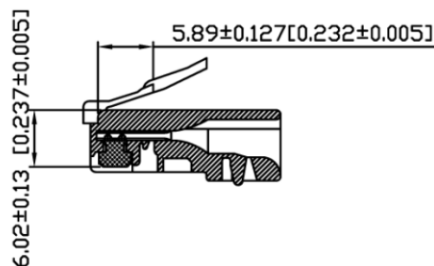


NOTES:

- MATERIALS:**
 HOUSING-PBT POLYESTER UL94V-0
 MIXED GLASS FIBER.
 STANDARD COLOR-BLACK.
 CONTACTS-0.35mm THICK PHOS-BRONZE PLATED
 WITH 6u" GOLD IN CONTACT AREA, TIN IN
 SOLDER AREA, AND UNDERPLATED NICKEL
 IN ALL AREA.
 SHIELD-0.25mm THICK COPPER ALLOY,
 PLATED WITH NICKEL.
- OPERATING TEMPERATURE :** 0°C~70°C
- CAVITY CONFORMS TO FCC RULES AND REGULATIONS
 PART 68,SUBPART F.**



RoHS Compliant

TOLERANCES ARE

MORETHANALL
 PCB CONNECTORS
 Cable ASSEMBLIES

DRAWING BY CY
 CHECKED BY GENIUS
 UNIT / mm SCALE 1 : 1
 DATE

X, ±
 .X ± 0.30
 .XX ± 0.25
 .XXX ±
 ANG ±

照片框

煜倫股份有限公司

www.morethanall.com

SIZE A4 PROJECTION

ORDER INFORMATION

MJF13T45LA2-KF06B3YG-0808

SERIES

8P8C

YELLOW / GREEN

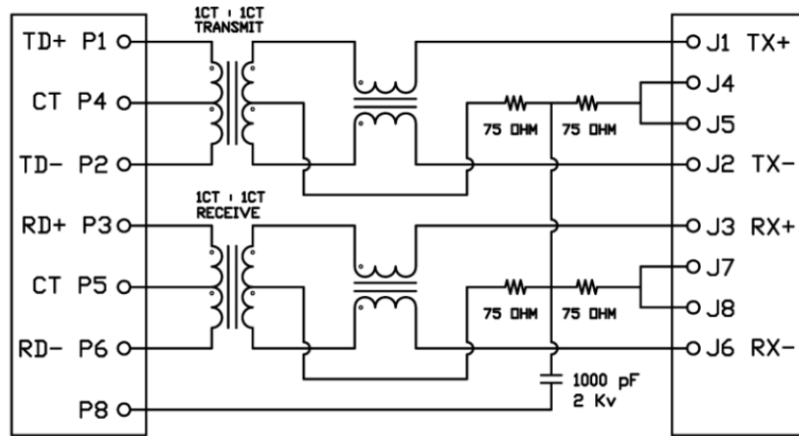
REAR TAB 3.05mm

BLACK 06u" GOLD
 FULL SPRING

DESCRIPTION:

CONNECTOR SOLDER SIDE

RJ45 CONTACT SIDE



TEST NOTES:(25±5°C)

1.TR:(100KHz,0.1V);

PINS:(P1-P2):(J1-J2)=1:1±3%

PINS:(P3-P6):(J3-J6)=1:1±3%

2.LX:(100KHz,100mV,8mA, DC Bias)

PINS: (P1,P2),(P3,P6)=350uH MINIMUM

3.DCR:

PINS:(J1-J2),(J3-J6)= 1.2 OHMS MAXIMUM

4.HIPOT:

PINS(P1,P4,P2)TO(J1,J2)=1500VAC FOR 60 SECONDS

PINS(P3,P5,P6)TO(J3,J6)=1500VAC FOR 60 SECONDS

5.INSERTION LOSS:

-1.0dB MAXIMUM AT 0.3MHz TO 100MHz;

6.RETURN LOSS:

-20dB MINIMUM AT 1MHz TO 30MHz;

-15dB MINIMUM AT 30MHz TO 60MHz

-10dB MINIMUM AT 60MHz TO 80MHz

7.CROSS TALK:

-30dB MINIMUM AT 1MHz TO 100MHz

8.COMMON TO COMMON MODE REJECTION:

-30dB MINIMUM AT 1MHz TO 100MHz

RoHS Compliant

TOLERANCES ARE

MORETHANALL
PCB CONNECTORS
Cable ASSEMBLIES

煜倫股份有限公司

www.morethanall.com

DRAWING BY CY

CHECKED BY GENIUS

UNIT / mm

SCALE 1 : 1

DATE

SIZE A4

PJECTION

X, ±
.X ± 0.30
.XX ± 0.25
.XXX ±
ANG ±

照片框

ORDER INFORMATION

MJF13T45LA2-KF06B3YG-0808

SERIES

8P8C

YELLOW / GREEN

REAR TAB 3.05mm

BLACK

06u" GOLD

FULL SPRING

DESCRIPTION: