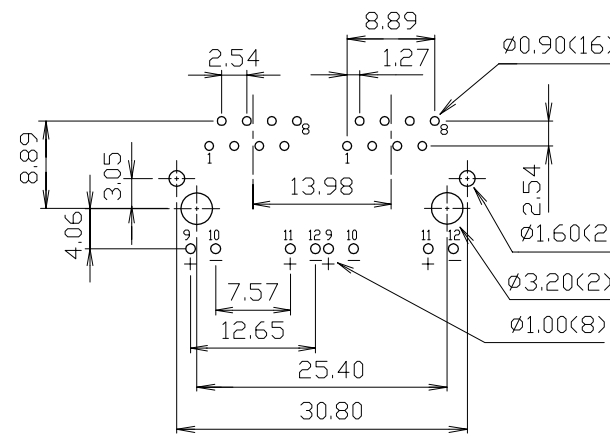


- MATERIALS:
- HOUSING-PBT POLYESTER UL94V-0 MIXED GLASS FIBER, STANDARD COLOR-BLACK.
 - CONTACTS-0.35mm THICK PHOS-BRONZE PLATED WITH HARD GOLD AND GOLD FLASH IN SOLDER AREA.
 - SHIELD-0.25mm THICK COPPER ALLOY, PLATED WITH NICKEL.

CAVITY CONFIRMS TO FCC RULES AND REGULATIONS PART 68,SUBPART F.

"▽" SHOWS QIP INSPECTION POINT.



PCB LAYOUT
Ref.

RoHS Compliant

TOLERANCES ARE

MORETHANALL
PCB CONNECTORS
Cable ASSEMBLIES

DRAWING BY CY

X, ±
.X ± 0.25
.XX ± 0.20
.XXX ± 0.10
ANG ±

CHECKED BY GENIUS

UNIT / mm SCALE 1 : 1

DATE

SIZE A4

PPOJECTION

照片框

ORDER INFORMATION

MJF13T45LA2-KF06B3GY-0808

SERIES

8P8C

GREEN / YELLOW

REAR TAB 3.05mm

BLACK

06u" GOLD

FULL SPRING

煜倫股份有限公司

www.morethanall.com

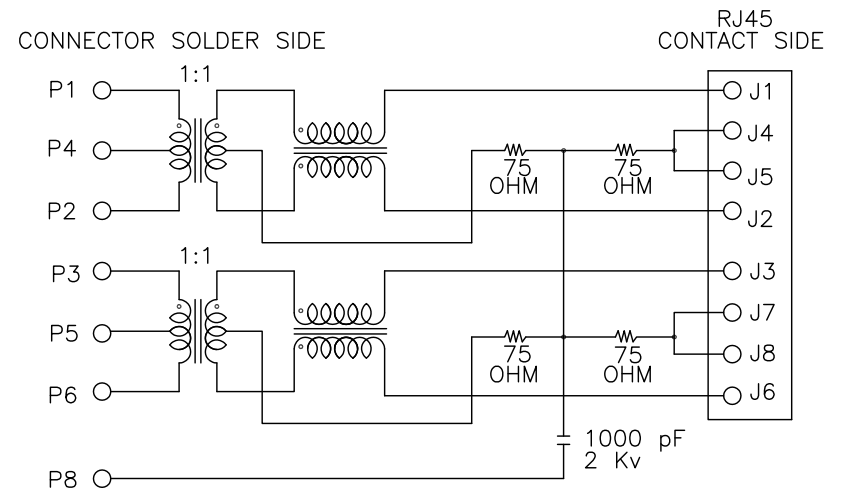
DESCRIPTION: 2PORTS, RJ45, SHIELDED, WITH LED'S, WITH TRANSFORMER, SIDE ENTRY PCB JACK

TRANSFORMER

ELECTRICAL CHARACTERISTICS

TEST NOTES: (25°±5°C)

Item	Parameter	Condition	Min.	Typ.	Max.	Unit	REMARK
1	Insertion loss	1-100 MHz			-1	dB	
2	Return loss	1-30 MHz	-20			dB	
		30-60 MHz	-15			dB	
		60-80 MHz	-11			dB	
3	Primary Inductance @100KHz, 0.1Vrms, 8mA DC BIAS	(1-2), (3-6)	350			uH	
4	Crosstalk	1-100 MHz	-30			dB	
5	Hipot	Vrms	1.5			kV	



CONNECTOR SCHEMATIC

RoHS Compliant

TOLERANCES ARE

MORETHANALL
PCB CONNECTORS
Cable ASSEMBLIES

DRAWING BY CY

CHECKED BY GENIUS

UNIT / mm

SCALE 1 : 1

DATE

SIZE A4

PJECTION

X, ±
.X ± 0.25
.XX ± 0.20
.XXX ± 0.10
ANG ±

照片框

ORDER INFORMATION

MJF13T45LA2-KF06B3GY-0808

SERIES

8P8C

GREEN / YELLOW

REAR TAB 3.05mm

BLACK

06u" GOLD

FULL SPRING

煜倫股份有限公司

www.morethanall.com

DESCRIPTION: TRANSFORMER SPECIFICATION