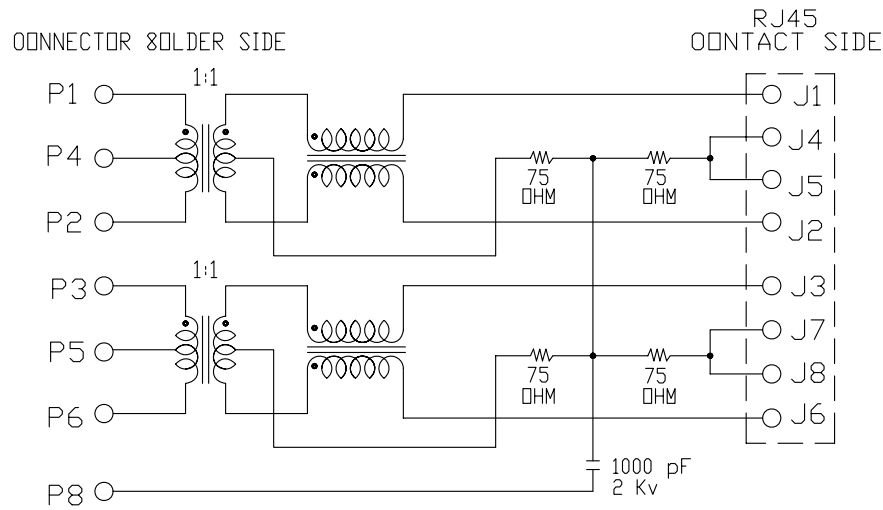




Specification :

Item	Parameter	Condition	Min.	Typ.	Max.	Unit	REMARK
1	Insertion loss	1-100 MHz			-1	dB	
2	Return loss	1-30 MHz	-20			dB	
		30-60 MHz	-15			dB	
		60-80 MHz	-11			dB	
3	Primary Inductance @100KHz, 0.1Vrms, 8mA DC BIAS	<1-2>, <7-8>	350			mH	
4	Crosstalk	1-100 MHz	-30			dB	
5	Hipot	Vrms	1.5			kV	



CONNECTOR SCHEMATIC

	PART NO. MJF13T45L-KX50B3GY-0808		TOLERANCES ARE X. ± .X ± 0.38 .XX ± 0.25 .XXX ± ANG	DESCRIPTION:		
	DWG NO. MJF13T45L-KX50B3GY-0808					
焜倫股份有限公司	FILE NO.		DRAWING BY		AREA      REVISIONS      DATE	
	UNIT / mm	SCALE 1:1	PROJECTION			