

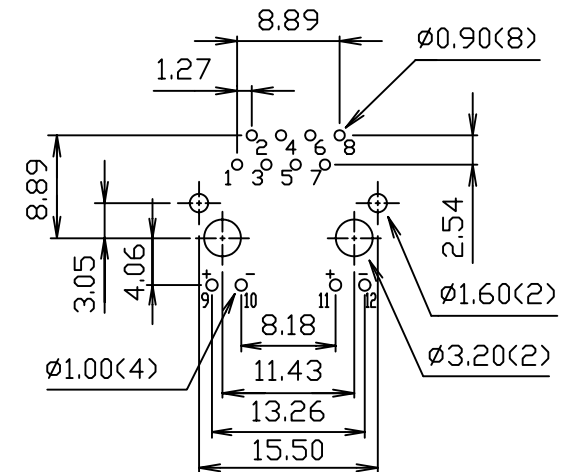
DETAIL Y

MATERIALS:

- HOUSING-PBT POLYESTER UL94V-0 MIXED GLASS FIBER, STANDARD COLOR-BLACK.
- CONTACTS-0.35mm THICK PHOS-BRONZE PLATED WITH HARD GOLD AND TIN/LEAD IN SOLDER AREA.
- SHIELD-0.25mm THICK COPPER ALLOY, PLATED WITH NICKEL.

CAVITY CONFIRMS TO FCC RULES AND REGULATIONS PART 68,SUBPART F.

Operating Temperature:-40°C to 105°C



PC Board Layout Ref.

RoHS Compliant

TOLERANCES ARE

MORETHANALL
PCB CONNECTORS
Cable ASSEMBLIES

煜倫股份有限公司

www.morethanall.com

DRAWING BY CY

CHECKED BY GENIUS

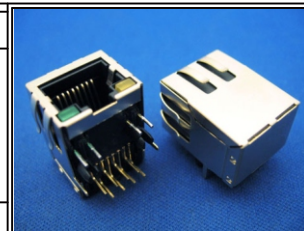
UNIT / mm SCALE 1 : 1

DATE

SIZE A4

PJECTION

X, ±
.X ±
.XX ±
.XXX ±
ANG ±



ORDER INFORMATION

MJF13T45L-KF06B3xx-0808

SERIES LED1 LED2 8P8C
BLACK GY:GREEN /YELLOW
YG:YELLOW /GREEN
FULL SPRING REAR TAB 3.05mm
06U" GOLD

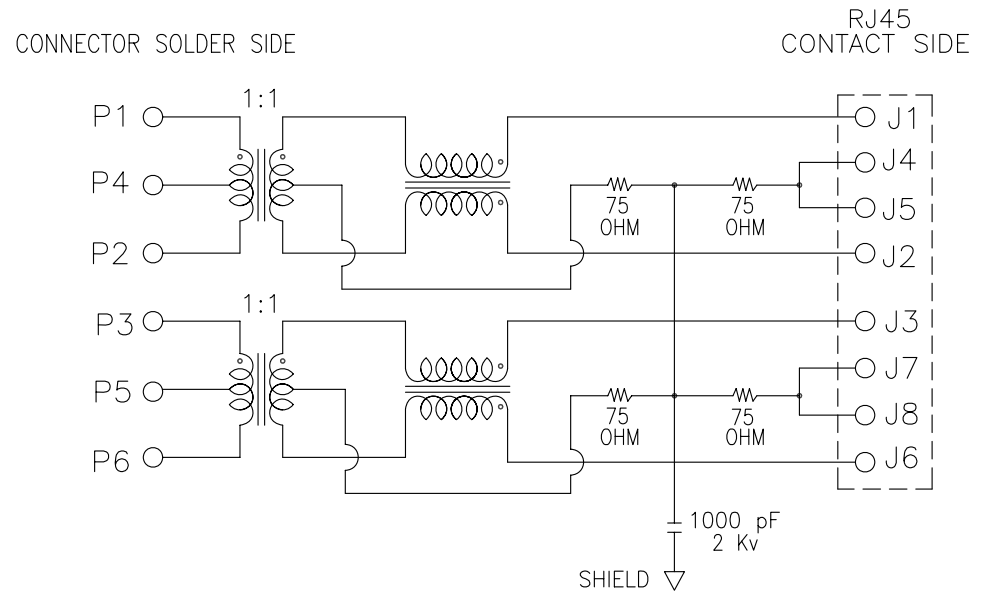
DESCRIPTION: SINGLE PORT, RJ45, SHIELDED, WITH LED WITH TRANSFORMER, SIDE ENTRY PCB JACK

TRANSFORMER

ELECTRICAL CHARACTERISTICS

TEST NOTES: (25°±5°C)

- TR: (100KHz, 0.1V);
PINS:(1-2):(J1-J2)=1CT:1CT±3%;
PINS:(3-6):(J3-J6)=1CT:1CT±3%;
- LX: (100KHz, 100mV, 8mA, DC Bias)
PINS: (1,2),(3,6)=350uH MINIMUM
- DCR:
PINS: (1-2),(J3-J6),(J1-J2)=1.0 OHMS MAXIMUM.
PINS: (3-6)=1.2 OHMS MAXIMUM.
- HIPOT:
PINS(1,4,2)TO(J1,J2)=1500VAC FOR 60 SECONDS
PINS(3,5,6)TO(J3,J6)=1500VAC FOR 60 SECONDS
- CAPACITOR (1KHz,1V):
SHIELD TO (J1-J8)=1300pF MAXIMUM AND 700pF MINIMUM
- INSERTION LOSS:
-1.0dB MAXIMUM AT 0.1MHz TO 100MHz
- RETURN LOSS:
-20dB MINIMUM AT 1MHz TO 30MHz;
-15dB MINIMUM AT 30MHz TO 60MHz;
-10dB MINIMUM AT 60MHz TO 100MHz
- CROSS TALK:
-30dB MINIMUM AT 1MHz TO 100MHz
- COMMON TO COMMON MODE REJECTION:
-30dB MINIMUM AT 1MHz TO 100MHz



CONNECTOR SCHEMATIC

RoHS Compliant

TOLERANCES ARE

MORETHANALL
PCB CONNECTORS
Cable ASSEMBLIES

煜倫股份有限公司

www.morethanall.com

DRAWING BY CY

CHECKED BY GENIUS

UNIT / mm SCALE 1 : 1

DATE

SIZE A4

X, ±

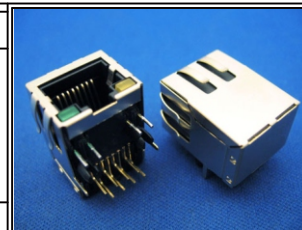
.X ±

.XX ±

.XXX ±

ANG ±

PJECTION



ORDER INFORMATION

MJF13T45L-KF06B3xx-0808

SERIES | LED1 | LED2 | 8P8C
BLACK | GY:GREEN /YELLOW | YG:YELLOW /GREEN
FULL SPRING | REAR TAB 3.05mm
06u" GOLD

DESCRIPTION: SINGLE PORT, RJ45, SHIELDED, WITH LED WITH TRANSFORMER, SIDE ENTRY PCB JACK