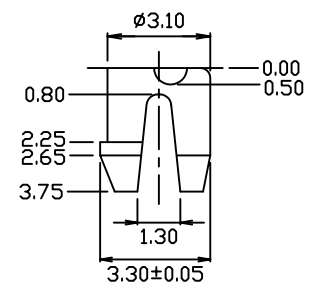
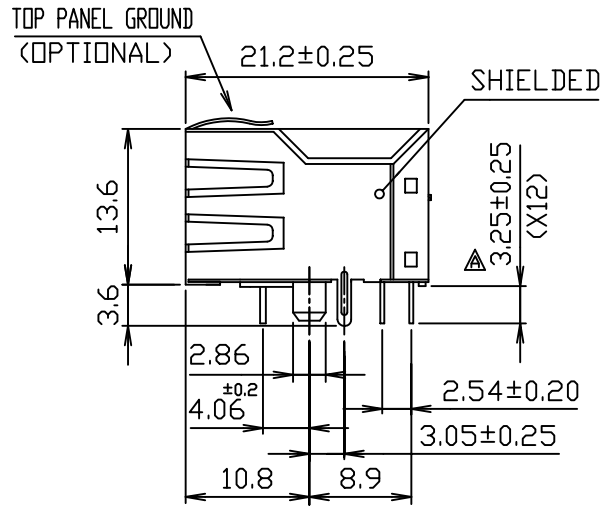
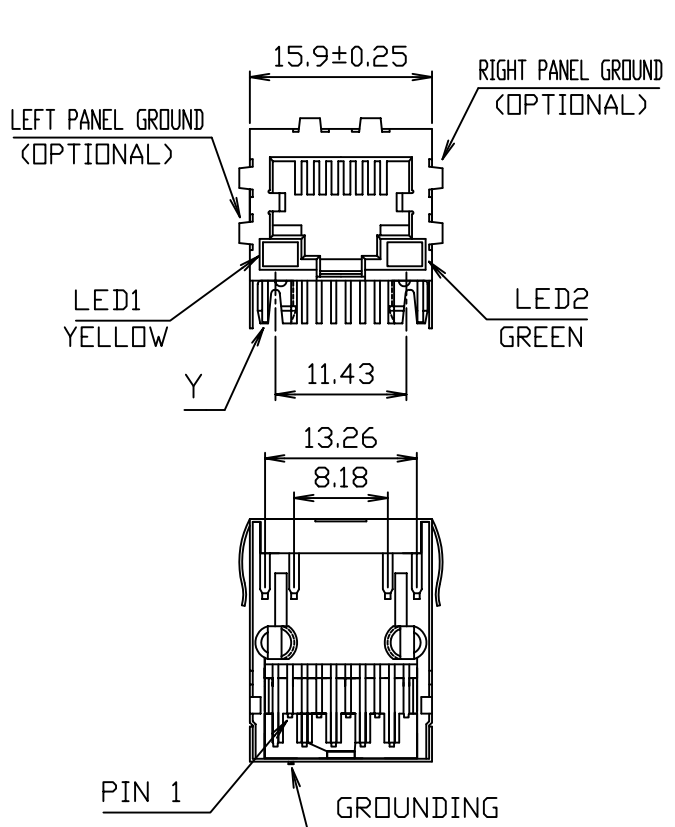
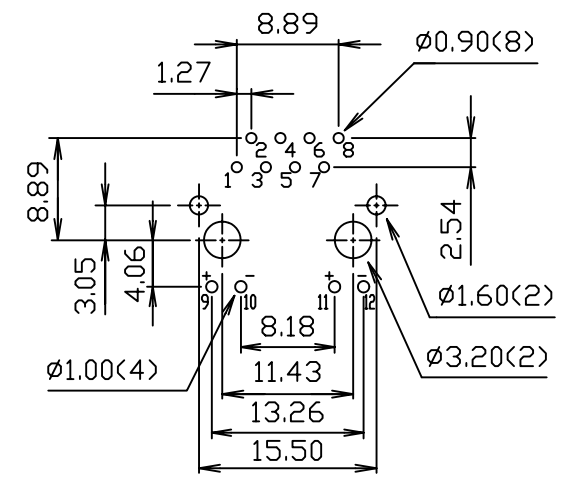


- MATERIALS:**
- HOUSING-PBT POLYESTER UL94V-0 MIXED GLASS FIBER. STANDARD COLOR-BLACK.
  - CONTACTS-0.35mm THICK PHOS-BRONZE PLATED WITH HARD GOLD AND TIN/LEAD IN SOLDER AREA.
  - SHIELD-0.25mm THICK COPPER ALLOY, PLATED WITH NICKEL.
- CAVITY CONFIRMS TO FCC RULES AND REGULATIONS PART 68,SUBPART F.



**DETAIL Y**



PC Board Layout Ref.

**RoHS Compliant**

TOLERANCES ARE



DRAWING BY CY		X. ± 0.30
CHECKED BY GENIUS		.X ± 0.30
UNIT / mm	SCALE 1 : 1	.XX ± 0.20
DATE		.XXX ± 0.10
		ANG ± 1°

煜倫股份有限公司

www.morethanall.com

SIZE A4 PPROJECTION



**ORDER INFORMATION**

MJF13T45L-KF06B3YG-0808-LF  
 SERIES | | | | LEADFREE  
 BLACK | | | | 8P8C  
 | | | | YELLOW / GREEN  
 | | | | REAR TAB 3.05mm  
 | | | | 06u" GOLD  
 | | | | FULL SPRING

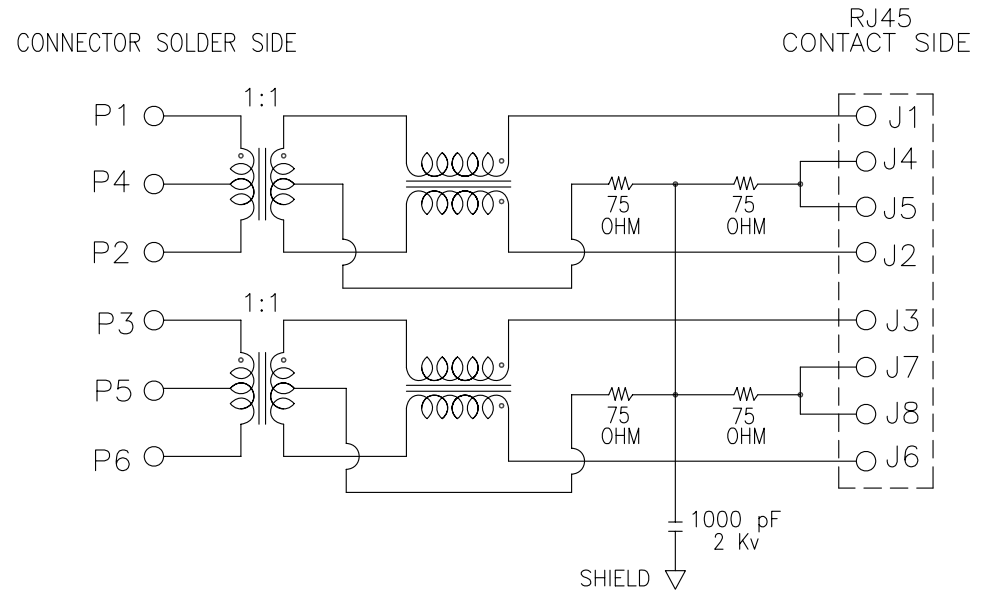
DESCRIPTION: SINGLE PORT, RJ45, SHIELDED, WITH LED WITH TRANSFORMER, SIDE ENTRY PCB JACK

# TRANSFORMER TYPE Z

## ELECTRICAL CHARACTERISTICS

TEST NOTES: (25°±5°C)

1. TR: (100KHz, 0.1V);  
 PINS:(1-2):(J1-J2)=1CT:1CT±3%;  
 PINS:(3-6):(J3-J6)=1CT:1CT±3%;
2. LX: (100KHz, 100mV, 8mA, DC Bias)  
 PINS: (1,2),(3,6)=350uH MINIMUM
3. DCR:  
 PINS: (1-2),(J3-J6),(J1-J2)=1.0 OHMS MAXIMUM.  
 PINS: (3-6)=1.2 OHMS MAXIMUM.
4. HIPOT:  
 PINS(1,4,2)TO(J1,J2)=1500VAC FOR 60 SECONDS  
 PINS(3,5,6)TO(J3,J6)=1500VAC FOR 60 SECONDS
5. CAPACITOR (1KHz,1V):  
 SHIELD TO (J1-J8)=1300pF MAXIMUM AND 700pF MINIMUM
6. INSERTION LOSS:  
 -1.0dB MAXIMUM AT 0.1MHz TO 100MHz
7. RETURN LOSS:  
 -20dB MINIMUM AT 1MHz TO 30MHz;  
 -15dB MINIMUM AT 30MHz TO 60MHz;  
 -10dB MINIMUM AT 60MHz TO 100MHz
8. CROSS TALK:  
 -30dB MINIMUM AT 1MHz TO 100MHz
9. COMMON TO COMMON MODE REJECTION:  
 -30dB MINIMUM AT 1MHz TO 100MHz



CONNECTOR SCHEMATIC

**RoHS Compliant**

TOLERANCES ARE

**MORETHANALL**  
 PCB CONNECTORS  
 Cable ASSEMBLIES

DRAWING BY CY

X.±

CHECKED BY GENIUS

.X±

UNIT / mm

SCALE 1:1

.XXX±

DATE

ANG±

照片框

**ORDER INFORMATION**

**MJF13T45L-KF06B3YG-0808-LF**

SERIES

LEADFREE

BLACK

8P8C

YELLOW / GREEN

REAR TAB 3.05mm

06u" GOLD FULL SPRING

[www.morethanall.com](http://www.morethanall.com)

SIZE A4

PJECTION

DESCRIPTION: TRANSFORMER TYPE Z SPECIFICATION