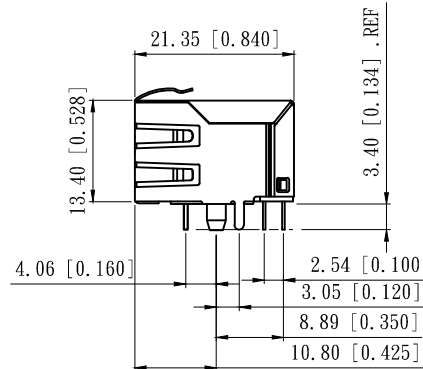
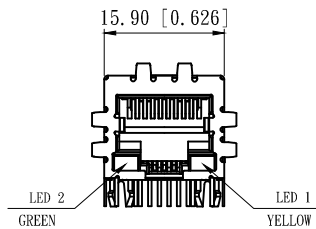
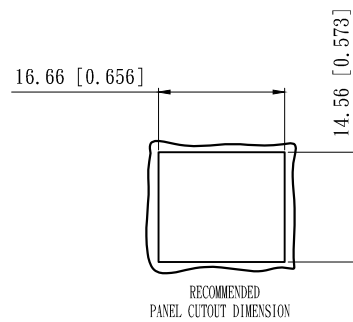
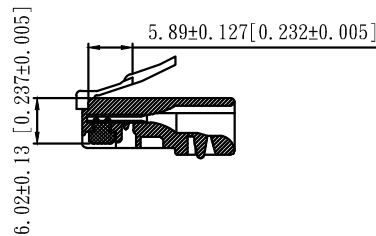


1. MECHANICAL DIMENSIONS :



RECOMMENED PLUG DIMENSION:



NOTES:

1. MATERIALS:

HOUSING -PBT POLYESTER UL94V-0  
MIXED GLASS FIBER.  
STANDARD COLOR-BLACK.

CONTACTS -0.35mm THICK PHOS-BRONZE PLATED  
WITH 6u" GOLD IN CONTACT AREA, TIN IN  
SOLDER AREA, AND UNDERPLATED NICKEL  
IN ALL AREA.

SHIELD-0.25mm THICK COPPER ALLOY,  
PLATED WITH NICKEL.

2. OPERATING TEMPERATURE : -40°C~+85°C

3. CAVITY CONFORMS TO FCC RULES AND REGULATIONS  
PART 68, SUBPART F.

4. UNSPECIFIED TOLERANCE: .XX ±0.25[0.010]  
.X ±0.30[0.012]

RoHS Compliant

TOLERANCES ARE

**MORETHANALL**  
PCB CONNECTORS  
Cable ASSEMBLIES

煜倫股份有限公司

www.morethanall.com

DRAWING BY CY

CHECKED BY GENIUS

UNIT / mm SCALE 1 : 1

DATE

SIZE A4

X, ±  
.X ± 0.25  
.XX ± 0.15  
.XXX ± 0.05  
ANG ±

PJECTION

照片框

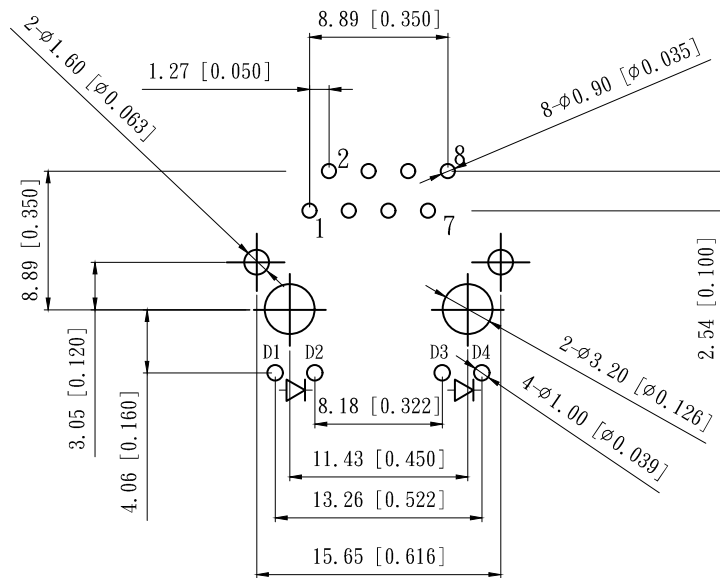
ORDER INFORMATION

MJF13T45L-KF06B3GY-0808

SERIES	8P8C
BLACK	LED2 GREEN / LED1 YELLOW
FULL SPRING	REAR TAB 3.05mm
	06:06u" GOLD

DESCRIPTION:

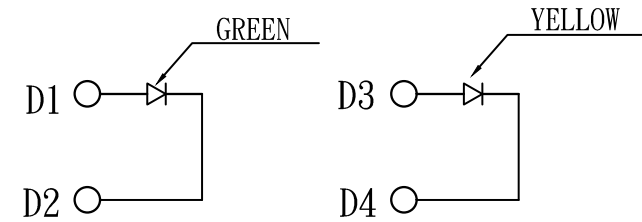
## 2. PCB LAYOUT :



SUGGESTED PCB LAYOUT  
(TOP VIEW)

DIMENSIONAL TOLERANCE: .XX ±0.08[0.003]

## 3. LED CONFIGURATION :



RoHS Compliant

TOLERANCES ARE

**MORETHANALL**  
PCB CONNECTORS  
Cable ASSEMBLIES

DRAWING BY CY

X. ±

CHECKED BY GENIUS

.X ± 0.25

UNIT / mm

SCALE 1 : 1

.XX ± 0.15

.XXX ± 0.05

ANG ±

DATE

SIZE A4

PJECTION

照片框

ORDER INFORMATION

MJF13T45L-KF06B3GY-0808

SERIES

8P8C

BLACK

FULL SPRING

LED2

GREEN / YELLOW

LED1

REAR TAB 3.05mm

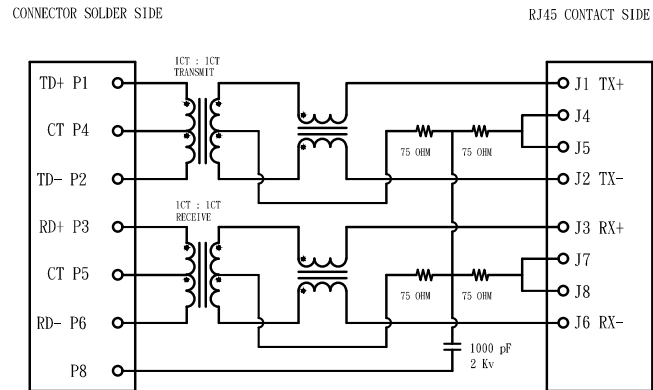
06:06u" GOLD

煜倫股份有限公司

www.morethanall.com

DESCRIPTION:

#### 4. SCHEMATIC:



#### 5. ELECTRICAL CHARACTERISTICS :

TEST NOTES: (25±5 °C)

1. TR: (100KHz, 0. 1V);  
PINS: (P1-P2): (J1-J2)=1:1±3%  
PINS: (P3-P6): (J3-J6)=1:1±3%
2. LX: (100KHz, 100mV, 8mA, DC Bias)  
PINS: (P1, P2), (P3, P6)=350uH MINIMUM
3. DCR:  
PINS: (J1-J2), (J3-J6)= 1.2 OHMS MAXIMUM
4. HIPOT:  
PINS(P1, P4, P2)TO(J1, J2)=1500VAC FOR 60 SECONDS  
PINS(P3, P5, P6)TO(J3, J6)=1500VAC FOR 60 SECONDS
5. INSERTION LOSS:  
-1.0dB MAXIMUM AT 0.3MHz TO 100MHz;
6. RETURN LOSS:  
-20dB MINIMUM AT 1MHz TO 30MHz;  
-15dB MINIMUM AT 30MHz TO 60MHz  
-10dB MINIMUM AT 60MHz TO 80MHz
7. CROSS TALK:  
-30dB MINIMUM AT 1MHz TO 100MHz
8. COMMON TO COMMON MODE REJECTION:  
-30dB MINIMUM AT 1MHz TO 100MHz

RoHS Compliant

TOLERANCES ARE

**MORETHANALL**  
PCB CONNECTORS  
Cable ASSEMBLIES

煜倫股份有限公司

www.morethanall.com

DRAWING BY CY

CHECKED BY GENIUS

UNIT / mm SCALE 1 : 1

DATE

SIZE A4

X, ±  
.X ± 0.25  
.XX ± 0.15  
.XXX ± 0.05  
ANG ±

PJECTION

照片框

ORDER INFORMATION

MJF13T45L-KF06B3GY-0808

SERIES

BLACK

FULL SPRING

8P8C

LED2 GREEN /YELLOW

LED1

REAR TAB 3.05mm  
06:06u" GOLD

DESCRIPTION: