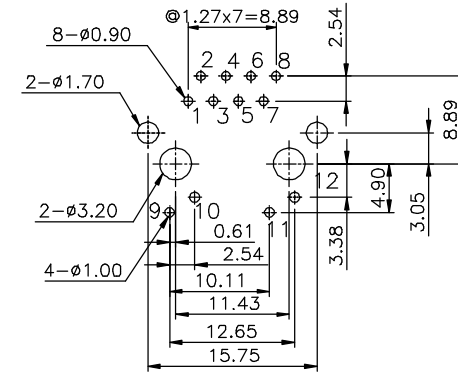
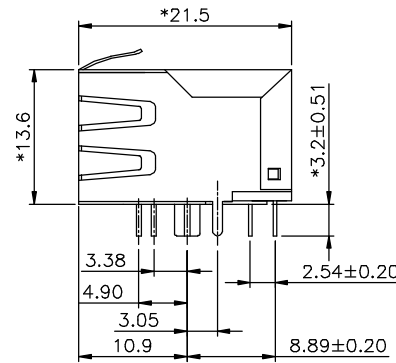
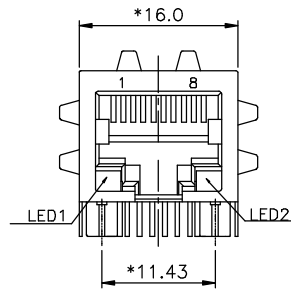
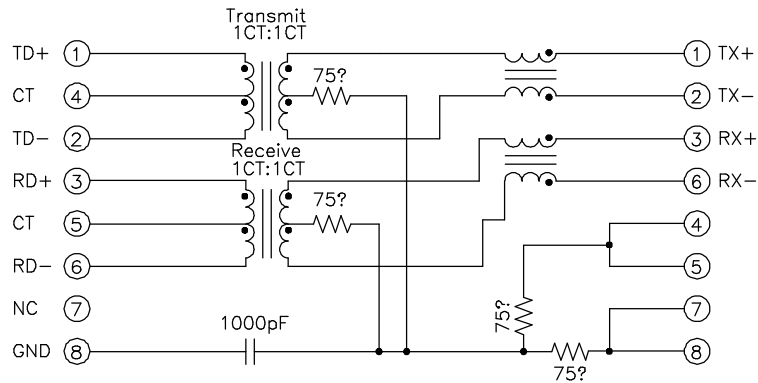


Data Code
 X X X X
 Year Week



PCB Layout T=1.60mm
 Component Side Shown

Schematic:



RoHS Compliant

TOLERANCES ARE

MORETHANALL
 PCB CONNECTORS
 Cable ASSEMBLIES

煜倫股份有限公司

www.morethanall.com

DRAWING BY CY

CHECKED BY GENIUS

UNIT / mm SCALE 1 : 1

DATE

SIZE A4

X. ±
 .X ±
 .XX ±
 .XXX ±
 ANG ±

PJECTION

照片框

ORDER INFORMATION

MJF13T45L-KF06B3GG43-0808-LF

SERIES BLACK FULL SPRING
 LEADFREE 8P8C REAR TAB 3.05mm
 06u" GOLD

DESCRIPTION: 10-100 Base Transformer Jack With LED