

PCB LAYOUT

**MATERIALS:**

PLASTIC HOUSING: HIGH TEMP THERMOPLASTIC  
FLAMMABILITY RATING UL 94V-0.

CONTACTS: PHOSPHOR BRONZE

PLATING: GOLD PLATING OVER NICKEL IN CONTACT.  
TIN PLATING OVER NICKEL IN SOLDER AREA.

SHIELD: BRASS PLATING NICKEL ALLOY.

**Electrical:**

- 1.Voltage Rating:125 Vac Rms.
- 2.Current Rating:1.5 Amp.
- 3.Contact Resistance:40 Milliohms Max.
- 4.Insulation Resistance:1000 Megohms Min @500 Vdc.
- 5.Dielectric Strength:1000 Vac Rms 60Hz, 1Min.

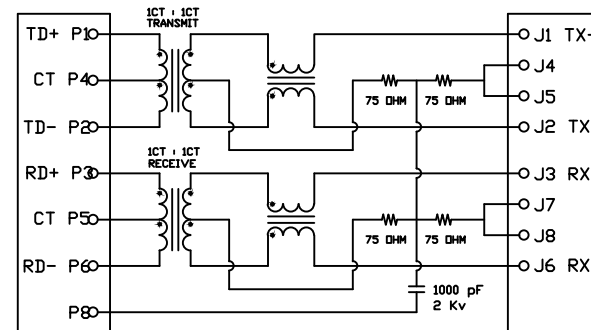
**Mechanical:**

- 1.Operating:750 Cycles Min.

**Environmental:**

- 1.Storage:-40°C To +85°C.
- 2.Operation:-20°C To +75°C.

Mates With Modular Plug Conforming To FCC Part 68, Subpart F.



RoHS Compliant

TOLERANCES ARE

**MORETHANALL**  
PCB CONNECTORS  
Cable ASSEMBLIES

DRAWING BY	CY	X. ± 0.50
CHECKED BY	GENIUS	.X ± 0.38
UNIT / mm	SCALE 1 : 1	.XX ± 0.25
DATE		.XXX ± 0.10
		ANG ±

照片框

ORDER INFORMATION

MJF13T45L-KF06B3GG-0808-LF  
SERIES | BLACK | FULL SPRING | GREEN / GREEN | REAR TAB 3.05mm | 8P8C | LEADFREE | 06u" GOLD

煜倫股份有限公司

www.morethanall.com

SIZE A4 PPROJECTION

DESCRIPTION: