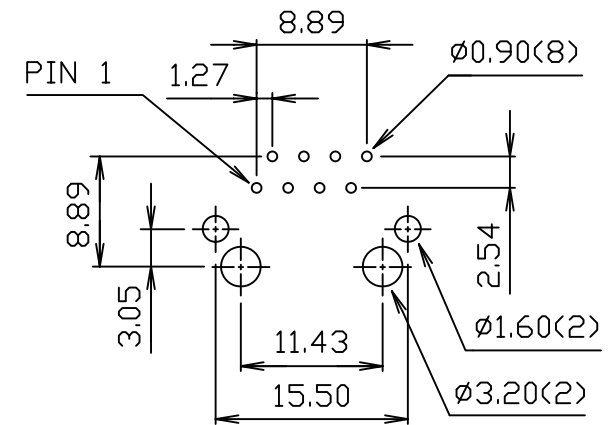


DETAIL Y

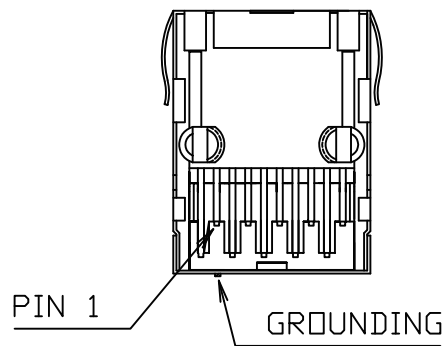
MATERIAL:

- HOUSING-PBT POLYESTER UL94V-0 MIXED GLASS FIBER. STANDARD COLOR-BLACK
- CONTACTS-0.35mm THICK PHOS-BRONZE WITH HARD GOLD AND TIN/LEAD PLATED IN SOLDER AREA.
- SHIELD-0.25mm THICK COPPER ALLOY, PLATED WITH NICKEL.

CAVITY CONFIRMS TO FCC RULES AND REGULATIONS PART 68,SUBPART F.



PC Board Layout Ref.



RoHS Compliant

TOLERANCES ARE

MORETHANALL
PCB CONNECTORS
Cable ASSEMBLIES
煜倫股份有限公司

DRAWING BY CY

X.±

CHECKED BY GENIUS

.X±

UNIT / mm

SCALE 1:1

.XX±

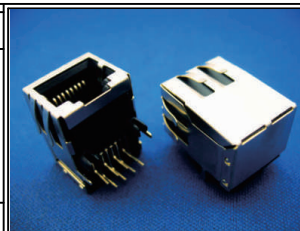
DATE

.XXX±

ANG ±

SIZE A4

PPOJECTION



ORDER INFORMATION

MJF13T45-KFxxB3-0808-LF

SERIES	8P8C LEADFREE
BLACK	REAR TAB 3.05mm
FULL SPRING	03:03u" GOLD
	06:06u" GOLD
	10:10u" GOLD
	30:30u" GOLD

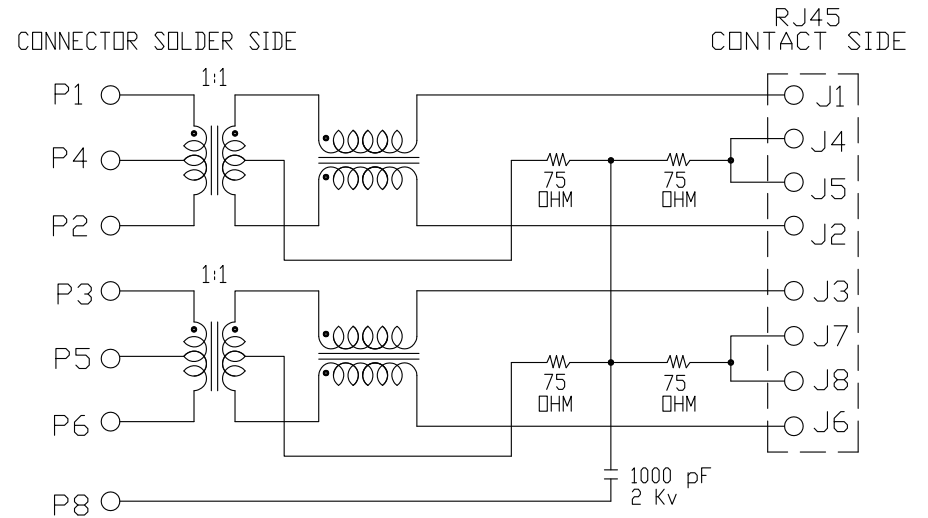
DESCRIPTION: SINGLE PORT, RJ45, SHIELDED, FLAT PIN WITH TRANSFORMER, SIDE ENTRY PCB JACK

www.morethanall.com

TRANSFORMER TYPE □

Specification :

Item	Parameter	Condition	Min.	Typ.	Max.	Unit	REMARK
1	Insertion loss	1-100 MHz			-1	dB	
2	Return loss	1-30 MHz	-20			dB	
		30-60 MHz	-15			dB	
		60-80 MHz	-11			dB	
3	Primary Inductance @100KHz, 0.1Vrms, 8mA DC BIAS	<1-2>, <7-8>	350			μH	
4	Crosstalk	1-100 MHz	-30			dB	
5	Hipot	Vrms	1.5			kV	



CONNECTOR SCHEMATIC

RoHS Compliant

TOLERANCES ARE

MORETHANALL
PCB CONNECTORS
Cable ASSEMBLIES

DRAWING BY CY

X. ±

CHECKED BY GENIUS

.X ±

UNIT / mm

SCALE 1:1

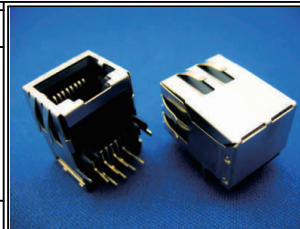
.XXX ±

DATE

ANG ±

SIZE A4

P PROJECTION



ORDER INFORMATION

MJF13T45-KFxxB3-0808-LF

SERIES

8P8C LEADFREE

REAR TAB 3.05mm

BLACK

03:03u" GOLD

06:06u" GOLD

10:10u" GOLD

30:30u" GOLD

FULL SPRING

DESCRIPTION: TRANSFORMER SPECIFICATION

煜倫股份有限公司

www.morethanall.com