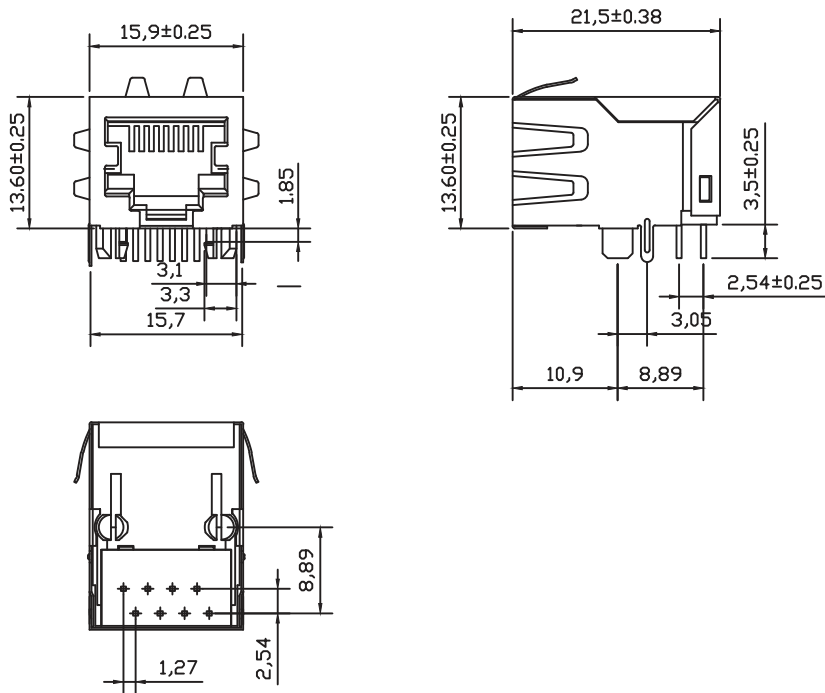


NOTE:

1. Shielded - 0.20mm THICKNESS BRASS C2680 H. PLATING NICKEL 20u"-40u".
2. Housing- Standard Material Nylon66, Glass Filled Polyester UL94V-0 Standed Color Black.
3. RJ Terminal- Plastic: Nylon66, UL94V-0, Standard Color Black. Pin: 0.35mm Thickness Phos-Bronze C5210 EH. Plating: Nickel 40u"~60u" for all and Sn 100% ,and Gold Plating.
4. Input Terminal- Nylon66, Glass Filled, UL94V-0, Standard Color Black. Pin: 0.35mm Thickness Phos-Bronze C2680. Plating: Nickel 40u"~60u" for all and Sn 100%.



RoHS Compliant

TOLERANCES ARE

MORETHANALL
PCB CONNECTORS
Cable ASSEMBLIES

煜倫股份有限公司

www.morethanall.com

DRAWING BY CY

CHECKED BY GENIUS

UNIT / mm SCALE 1 : 1

DATE

SIZE A4

X. ±
.X ±
.XX ±
.XXX ±
ANG ±

P PROJECTION

照片框

ORDER INFORMATION

MJF13T45-KF30B3-0808-LF

SERIES

||

||

||

||

||

||

||

||

||

||

||

||

||

||

||

8P8C LEADFREE

REAR TAB 3.05mm

30u" GOLD

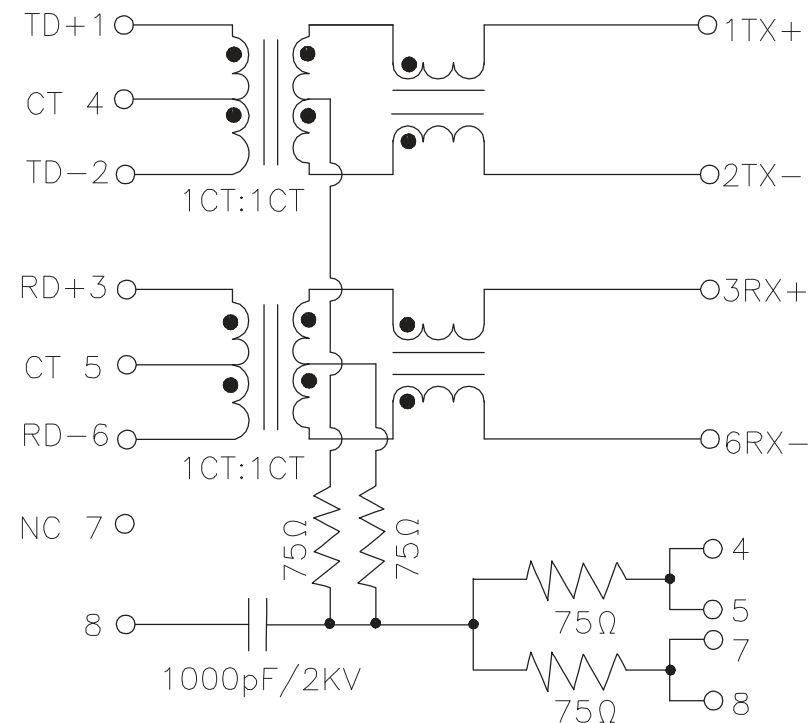
FULL SPRING

BLACK

DESCRIPTION:

ELECTRICAL SPECIFICATIONS@25°C:

- Turn Ratio(V2%): 1:1
- INSERTION LOSS (1-100MHz): -1.0dB MAX.
- Return Loss (dB MIN): -18dB(1-30MHz)
-[18-20LOG(F/30MHz)dB (30-60MHz), -12dB(60-80MHz)]
- Cross talk (dB MIN): -50dB(0.5-1MHz),-50dB(10MHz)
-40dB (30MHz), -35dB (50MHz), -30dB (100MHz)
- CMR(dB MIN):-50dB(0.3-1MHz),-47dB(10MHz)
-42dB (30MHz), -37dB (60MHz), -30dB (100MHz)
- CDMR(dB MIN):-50dB(0.3-1MHz),-50dB(10MHz)
-50dB (30MHz), -45dB (60MHz), -40dB (100MHz)
- HI-POT TEST:1500Vrms/0.5mA/2Sec.
- PRIMARY INDUCTANCE: 350uH MIN @100KHz/0.1V, 8mA
- D.C.BIAS
- RoHS compliance: YES



RoHS Compliant

TOLERANCES ARE

MORETHANALL
PCB CONNECTORS
Cable ASSEMBLIES

煜倫股份有限公司

www.morethanall.com

DRAWING BY CY

CHECKED BY GENIUS

UNIT / mm

SCALE 1:1

DATE

SIZE A4

P PROJECTION

X. ±
.X ±
.XX ±
.XXX ±
ANG ±

照片框

ORDER INFORMATION

MJF13T45-KF30B3-0808-LF

SERIES

LEADFREE

8P8C

REAR TAB 3.05mm

30u" GOLD

FULL SPRING

BLACK

DESCRIPTION: