

Recommended pcb layout

Material

Housing : Glass Filled Polyester (UL94V-0)

Standard Color : Black

Contact : 0.35mm Phosphor Bronze 6U" Gold Plating
Over Nickel

Shielded: SUS With Nickel plated

MJF13T45-KF06B3TX25-0808

RoHS Compliant



PART NO. MJF13T45-KF06B3TX25-0808

DWG NO. MJF13T45-KF06B3TX25-0808

CHECKED BY CY

TOLERANCES ARE

- X ±
- .X ± 0.3
- .XX ± 0.2
- .XXX ± 0.08
- ANG

DESCRIPTION: **RJ45 10/100 Base-t w/o led**

FILE NO.

DRAWING BY

煜倫股份有限公司

UNIT / mm

SCALE 1:1

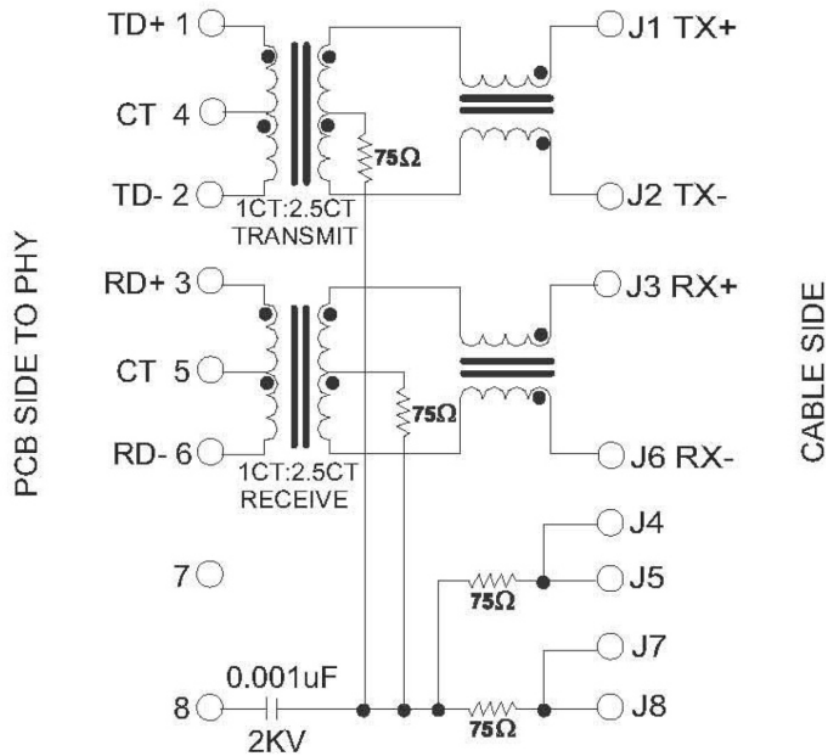
PROJECTION

AREA

REVISIONS

DATE

Schematics



Electrical Spec.

Type: Balance low pass 100ohm impedance

Insertion Loss:

1-100MHz -1.0dB Max.

100-125MHz -1.2dB Max.

Return Loss:

1-30MHz -18dB MIN. LOAD 100 OHM

30-60MHz -16dB MIN. LOAD 100 OHM

60-80MHz -12dB MIN. LOAD 100 OHM

CROSS TALK : @1-100MHz -30dB MIN.

CMR: @1-100MHz -30dB MIN.

Inductance 350uH MIN AT 100KHZ/0.1V@8mAdc

Hipot TEST

Input(1-2) to output(1-2):1500VAC,

60sec or 2250VDC, 60sec

Input(3-6) to output(3-6):1500VAC,

60sec or 2250VDC, 60sec

Insulation Resistance:100VDC 100 OHM MIN

MJF13T45-KF06B3TX25-0808

RoHS Compliant

MORETHANALL
CONNECTORS
ASSEMBLIES

PART NO. MJF13T45-KF06B3TX25-0808

DWG NO. MJF13T45-KF06B3TX25-0808

FILE NO.

CHECKED BY CY

DRAWING BY

TOLERANCES ARE

X.±
.X±0.3
.XX±0.2
.XXX±0.08
ANG

DESCRIPTION:

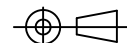
RJ45 10/100 Base-t w/o led

焯倫股份有限公司

UNIT / mm

SCALE 1:1

PROJECTION



AREA

REVISIONS

DATE