

J

I

H

G

F

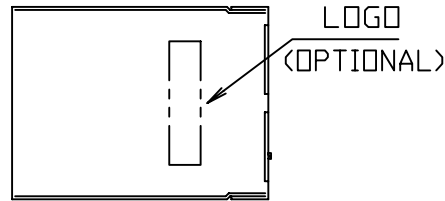
E

D

C

B

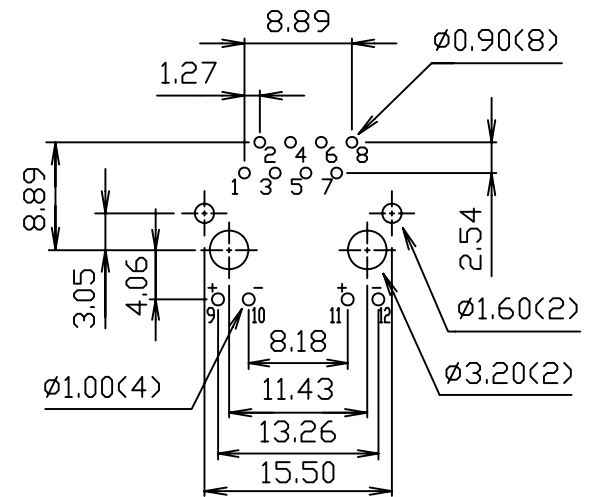
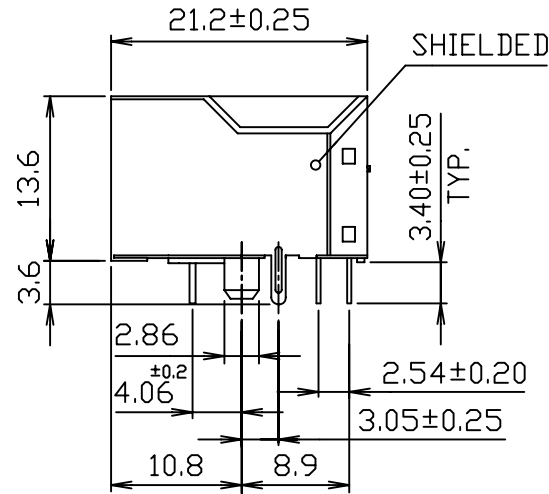
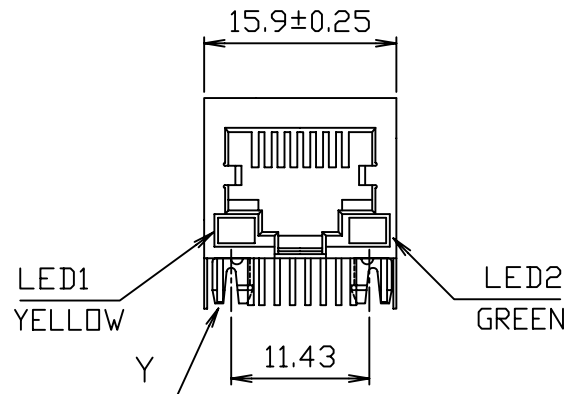
A



**MATERIALS:**

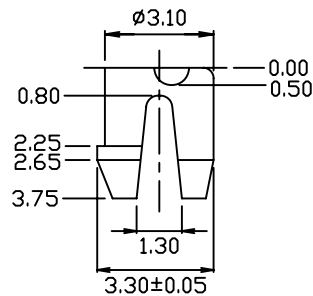
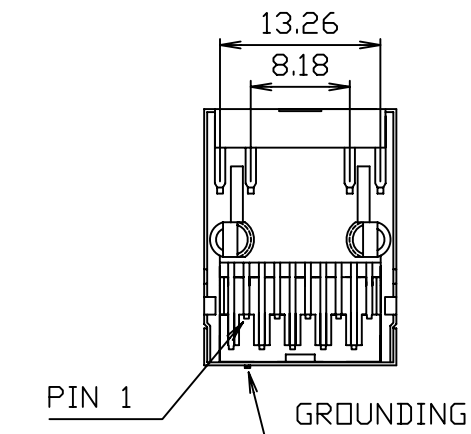
- HOUSING-PBT POLYESTER UL94V-0 MIXED GLASS FIBER. STANDARD COLOR-BLACK.
- CONTACTS-0.35mm THICK PHOS-BRONZE PLATED WITH HARD GOLD AND TIN/LEAD IN SOLDER AREA.
- SHIELD-0.25mm THICK COPPER ALLOY, PLATED WITH NICKEL.

CAVITY CONFIRMS TO FCC RULES AND REGULATIONS PART 68,SUBPART F.



PC Board Layout  
Ref.

RoHS Compliant



**DETAIL Y**



PART NO. MJF13T44L-KX06B3YG-0808

DWG NO. MJF13T44L-KX06B3YG-0808

FILE NO.

UNIT / mm

SCALE 1:1

CHECKED BY CY

DRAWING BY

PROJECTION

TOLERANCES ARE

.X ± 0.2  
.XX ±  
.XXX ±  
AWG

DESCRIPTION:

SINGLE PORT, RJ45, SHIELDED, WITH LED WITH TRANSFORMER, SIDE ENTRY PCB JACK

AREA

REVISIONS

HK

DATE

焯倫股份有限公司

J  
I  
H  
G  
F  
E  
D  
C  
B  
A

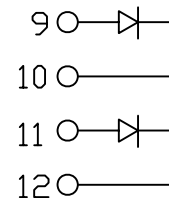
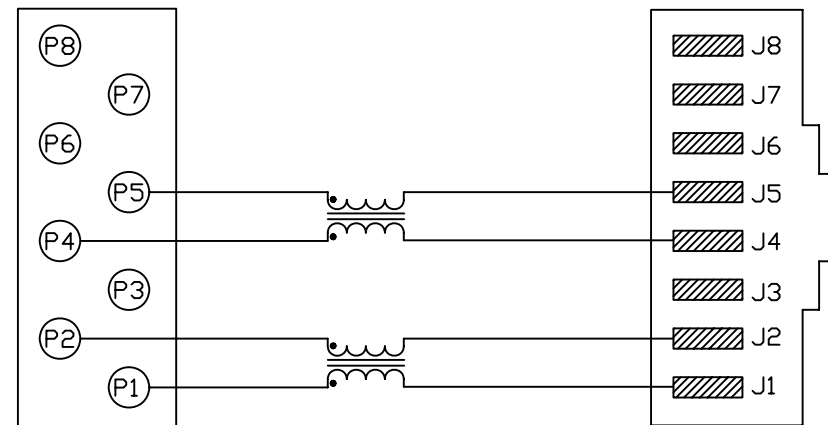
Electrical Specification :

Item	Parameter	Condition	Min.	Typ.	Max.	Unit	REMARK
1	INDUCTANCE	P1-J1=P2-J2 P4-J4=P5-J5				uH	NOTE 1
2	DC RESISTANCE	P1-J1			0.5	Ω	
		P2-J2			0.5	Ω	
		P4-J4			0.5	Ω	
		P5-J5			0.5	Ω	
3	COMMON MODE FREQUENCY (MHz)	1	5	8		-dB	CMA
		5	15	17		-dB	CMA
		20	15	23		-dB	CMA
		70	20	25		-dB	CMA
		200	17	22		-dB	CMA
		500	6	11		-dB	CMA

\* NOTE 1: 65 uH 0.01V, 10 KHz, nominal.

CONNECTOR SOLDER SIDE

CONTACT SIDE  
RJ45



NOTES: PINS NOT ELECTRICALLY CONNECTED ARE OMITTED.

CONNECTOR SCHEMATIC



PART NO. MJF13T44L-KX06B3YG-0808

DWG NO. MJF13T44L-KX06B3YG-0808

FILE NO.

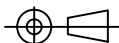
UNIT / mm

SCALE 1:1

CHECKED BY CY

DRAWING BY

PROJECTION



TOLERANCES ARE

.X ± 0.2  
.XX ±  
.XXX ±  
AWG

DESCRIPTION:

SINGLE PORT, RJ45, SHIELDED, WITH LED WITH TRANSFORMER, SIDE ENTRY PCB JACK

AREA

REVISIONS

HK

DATE

焜倫股份有限公司